

# Video Conference Screen (VCS)

---

A standard electric retractable system outfitted with customized housing that can hold a camera



# Video Conference Screen (VCS)

Stewart Filmscreen's Video Conference Screen (VCS) is a standard electric retractable system outfitted with a customized housing that holds a camera. Positioned underneath the screen, the camera is less visible to conference participants, who might be uncomfortable with cameras that are in full view. Eliminating cameras on the wall creates a cleaner installation and an atmosphere of productivity and teamwork. One issue that many video conferencing setups have today is that the camera is often glaringly visible, which in addition to looking unattractive, makes people more self-aware and uncomfortable, which ultimately can lead to decreased productivity. At Stewart, we are committed to providing seamless solutions for business and videoconferencing applications.

The VCS is available with variety of Stewart's front projection materials. Our exclusive Tab-Guy™ tensioning system ensures a smooth and completely flat screen surface. Matte black over-scan borders\* provide a perfectly masked image area. Microperf X2 is available when acoustic transparency is required.

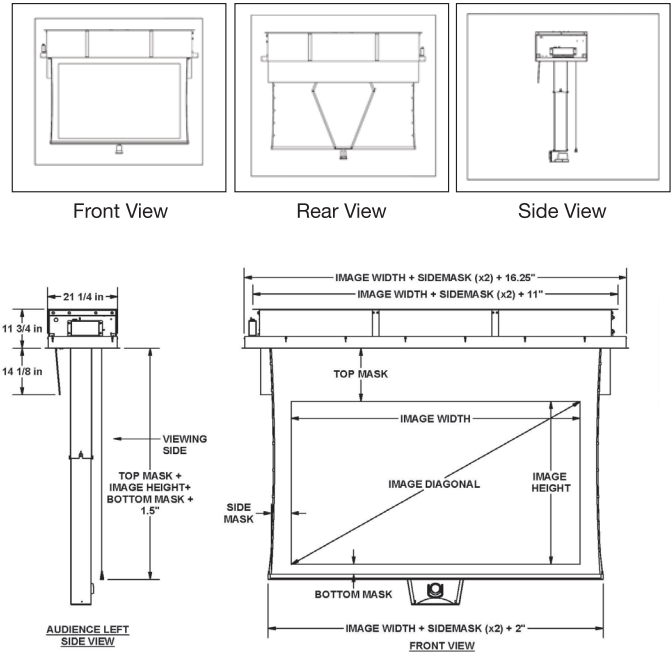
Stewart Filmscreen is known for superior quality, custom craftsmanship and long, trouble-free product life. As every Stewart product is handcrafted, custom sizes and configurations are easily accommodated. Contact your local Stewart Representative today and let us build one for you!

## SPECIFICATIONS

Electronically controlled screen system with trapdoor	Included
Electrically deployed video camera port/shelf**	Included
Aluminum and sintra housing/case	Included
Roller tube with insulated drive	Included
Tab-Guy™ tensioning system	Included
Matte black over-scan border*	Included
<b>MATERIAL</b>	
Front projection material	Included
<b>PERFORATIONS</b>	
Microperf X2 THX Ultra	Optional
<b>MOUNTING</b>	
Recessed/ceiling	Included
Factory set adjustable drywall flanges	Included
<b>SCREEN MOTOR</b>	
120 Volt	Included
220 Volt	Optional
<b>SCREEN CONTROL</b>	
LVC (low voltage switch control with 3 button wall switch)	Optional
<b>CASE/HOUSING DIMENSIONS</b>	
Case height	11.75" (298 mm)
Case depth	21.25" (540 mm)

\*It is important to request only the amount of blackdrop required to ensure a picture perfect image.

\*\*Camera not included and must be provided.



## FEATURES

- Easily accommodates the camera and speakers of your choice
- Use the screen without deploying the camera
- Optional control systems offered

## HDTV FORMATS 1.78:1/16:9

Model	Image Diagonal	Image Height	Image Width
VCS092H	92" (2337 mm)	45" (1143 mm)	80" (2032 mm)
VCS100H	100" (2540 mm)	49" (1245 mm)	87" (2210 mm)
VCS110H	110" (2794 mm)	54" (1372 mm)	96" (2438 mm)

For custom sizes and gains, please consult the Stewart representative in your area.

Specifications are subject to change at anytime without notice. Dimensions above include 12" blackdrop – over-scan border may vary by size.



Find your local representative at [www.stewartfilmscreen.com/rep](http://www.stewartfilmscreen.com/rep)