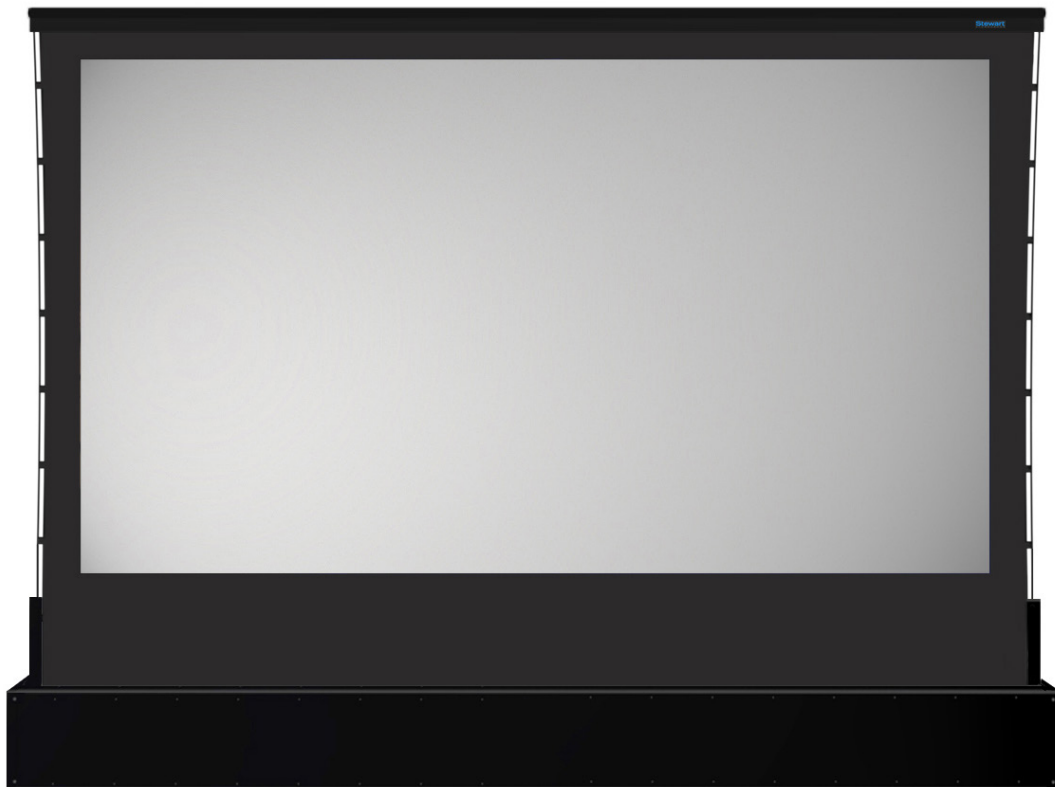


AllRise

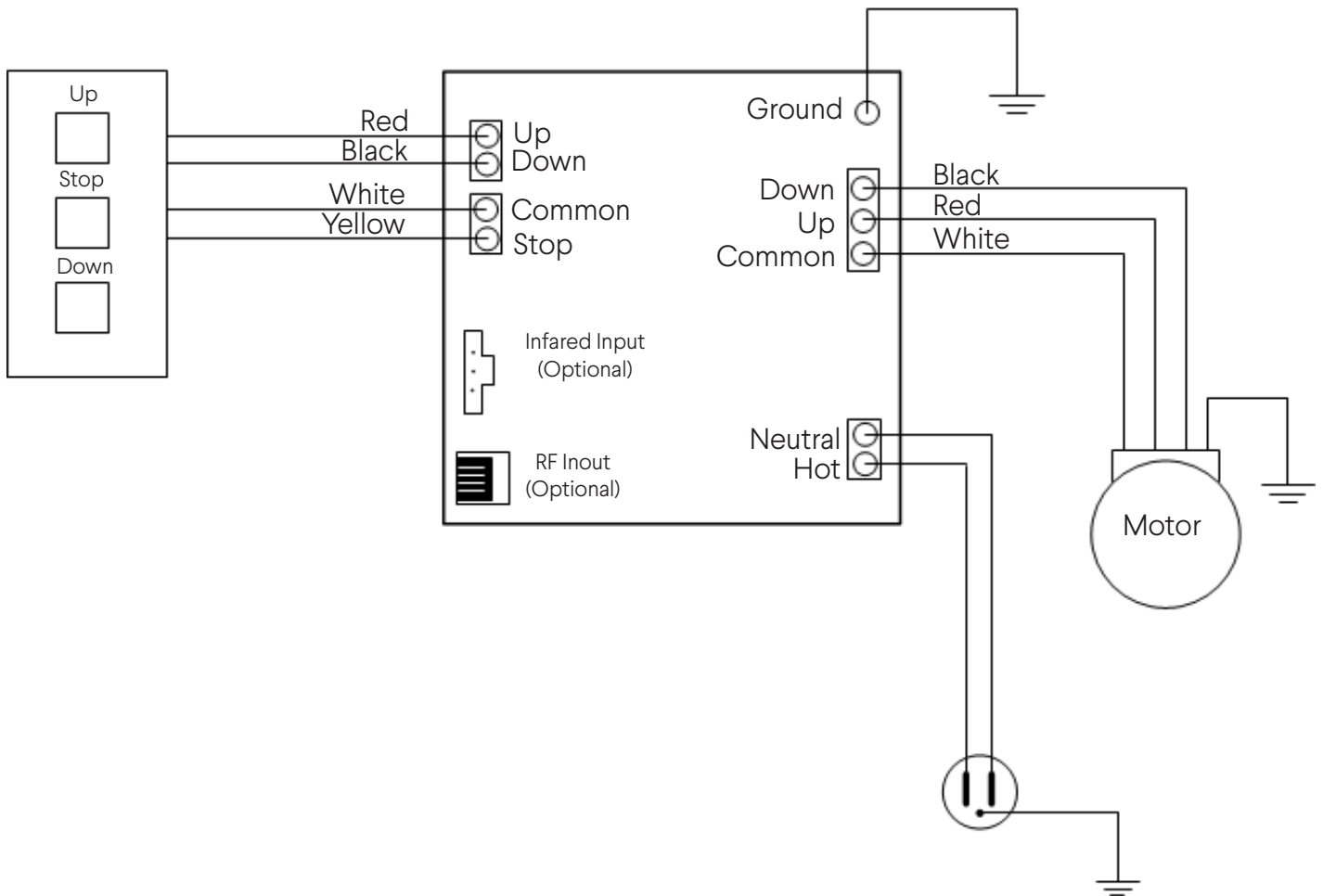
Standard and Optional Controls



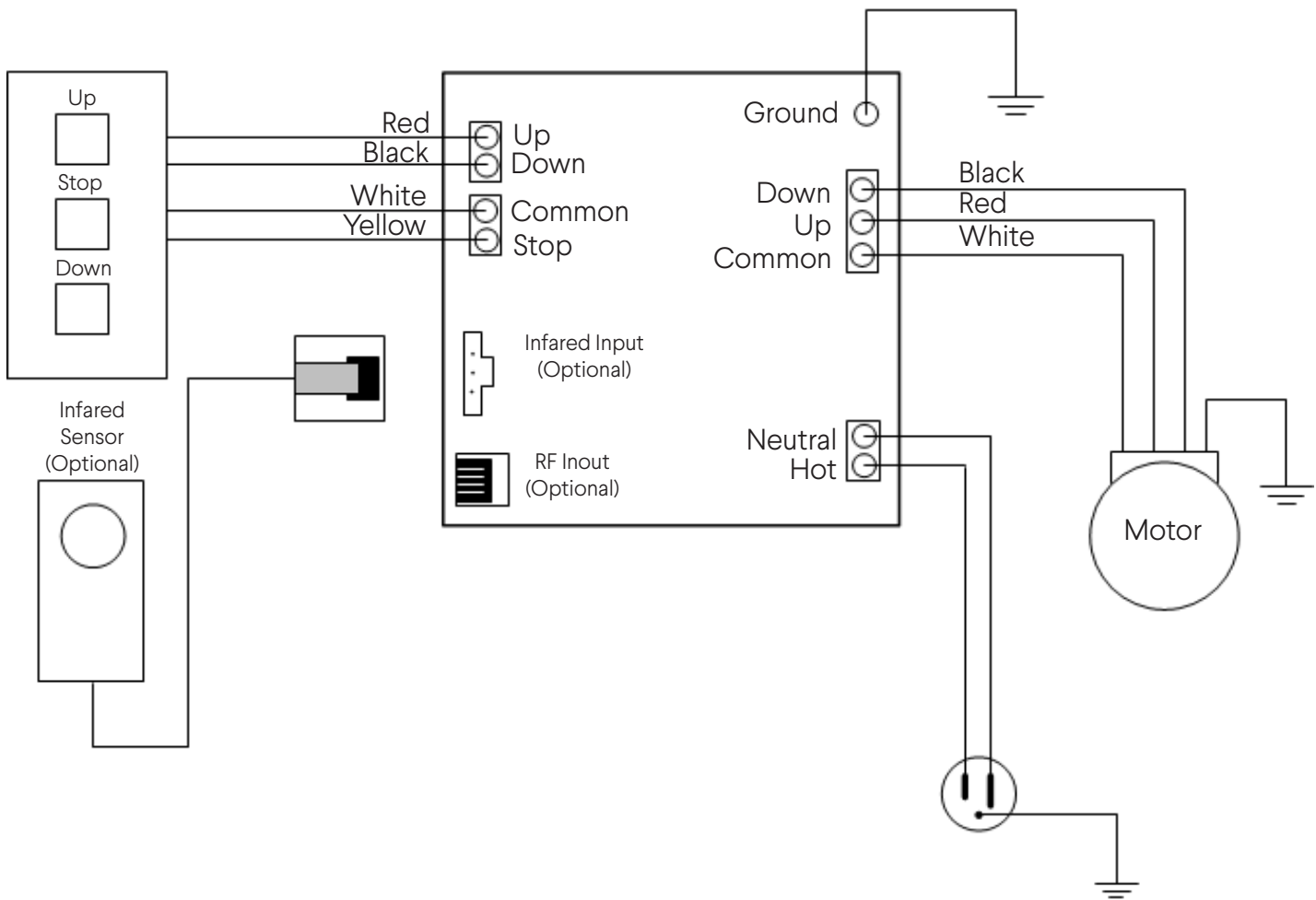
Stewart
F I L M S C R E E N

The Reference for Stunning™

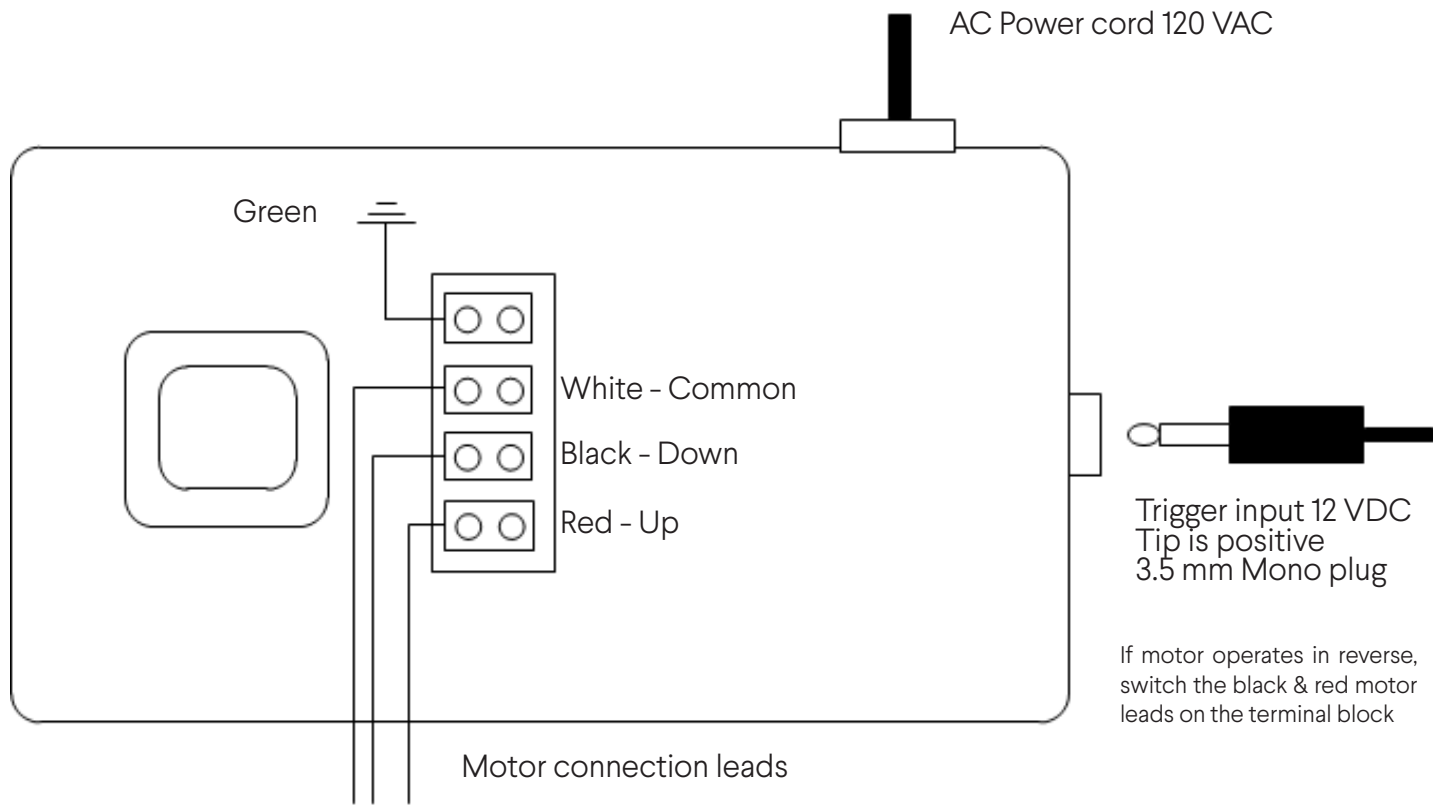
Standard Control		
Control	PowerOptions	Description
Low Voltage Control w/Wall Switch (LVC)	120V / 220-240V	The Low Voltage Control (with Wall Switch) is a screen control that allows for switching conductors to be run in Class II (small wire, exposed, no conduit) and will interface with most outboard video switching systems.
Optional Controls		
Control	PowerOptions	Description
Infrared Remote (IRR)	220-240V	The IRR is an infrared (IR) low voltage control (LVC) that includes a modular, plug-in infrared (IR) sensor and hand-held transmitter.
Video Interface Control System (VICS)	120V / 220-240V	VICS is a external version of the Screen Trigger Interface (STI). It interfaces with the triggering outputs from projectors, receivers, or other 3rd party control systems.



The Low Voltage Control (with Wall Switch) is a screen control that allows for switching conductors to be run in Class II (small wire, exposed, no conduit) and will interface with most outboard video switching systems.



The IRR is an infrared (IR) low voltage control (LVC) that includes a modular, plug-in infrared (IR) sensor and hand-held transmitter.



The VICS is an external version of the Screen Trigger Interface (STI). It interfaces with the triggering outputs from projectors, receivers, or other 3rd party control systems.