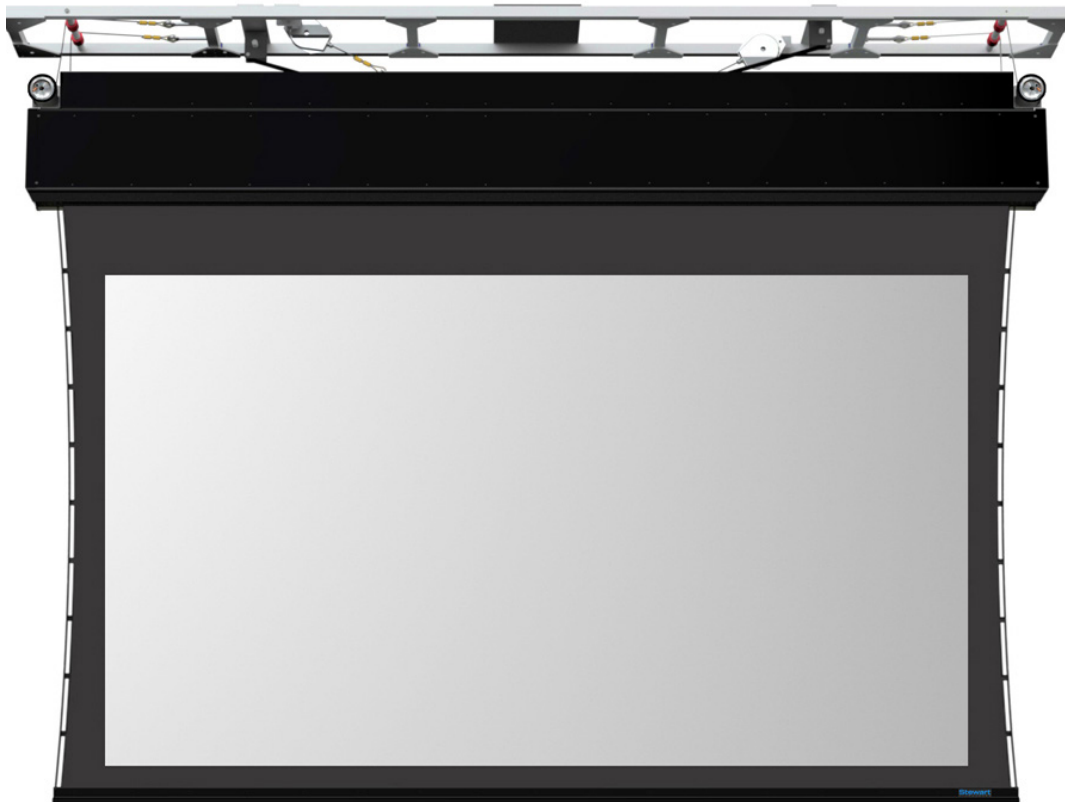


Cable Climber

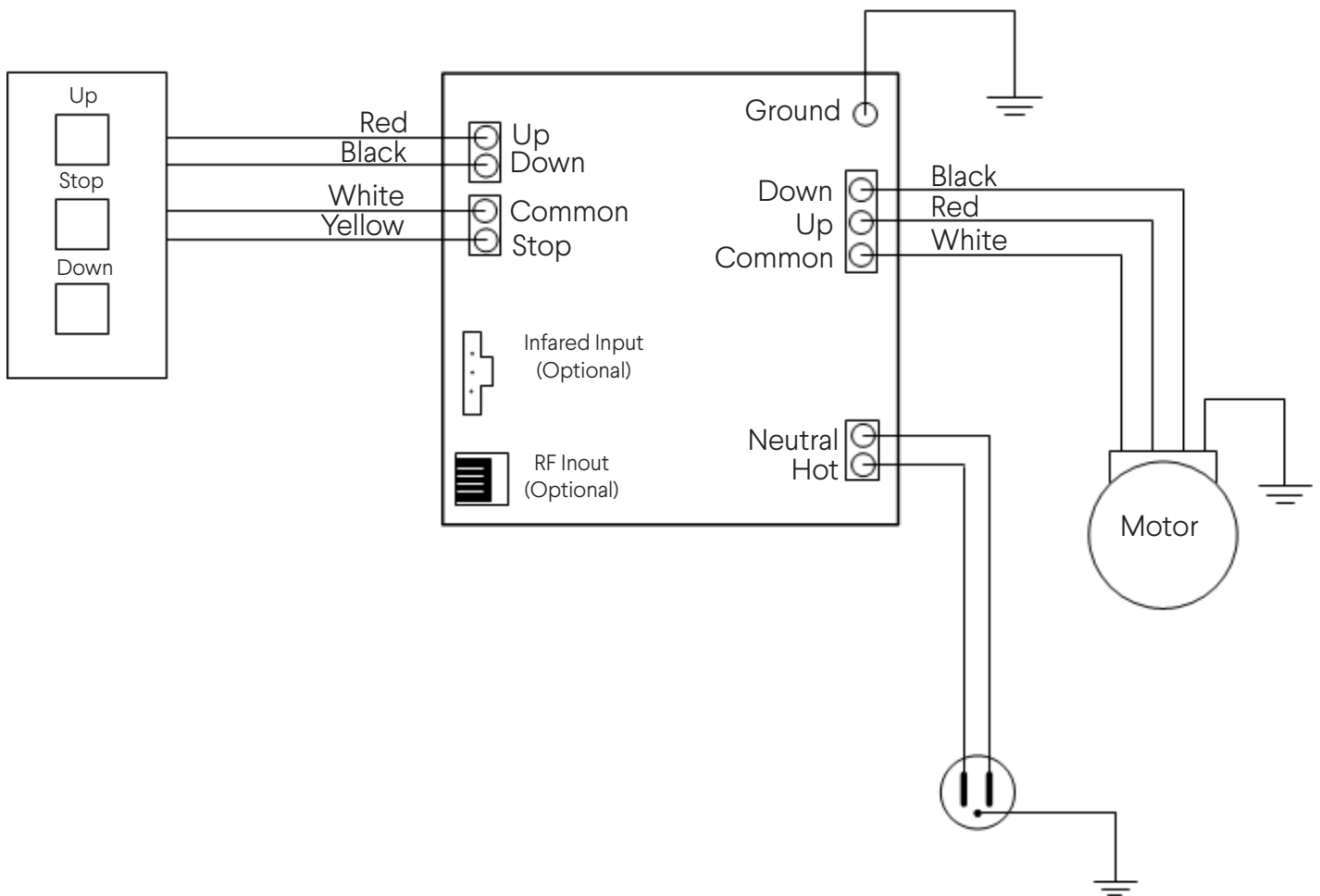
Standard and Optional Controls



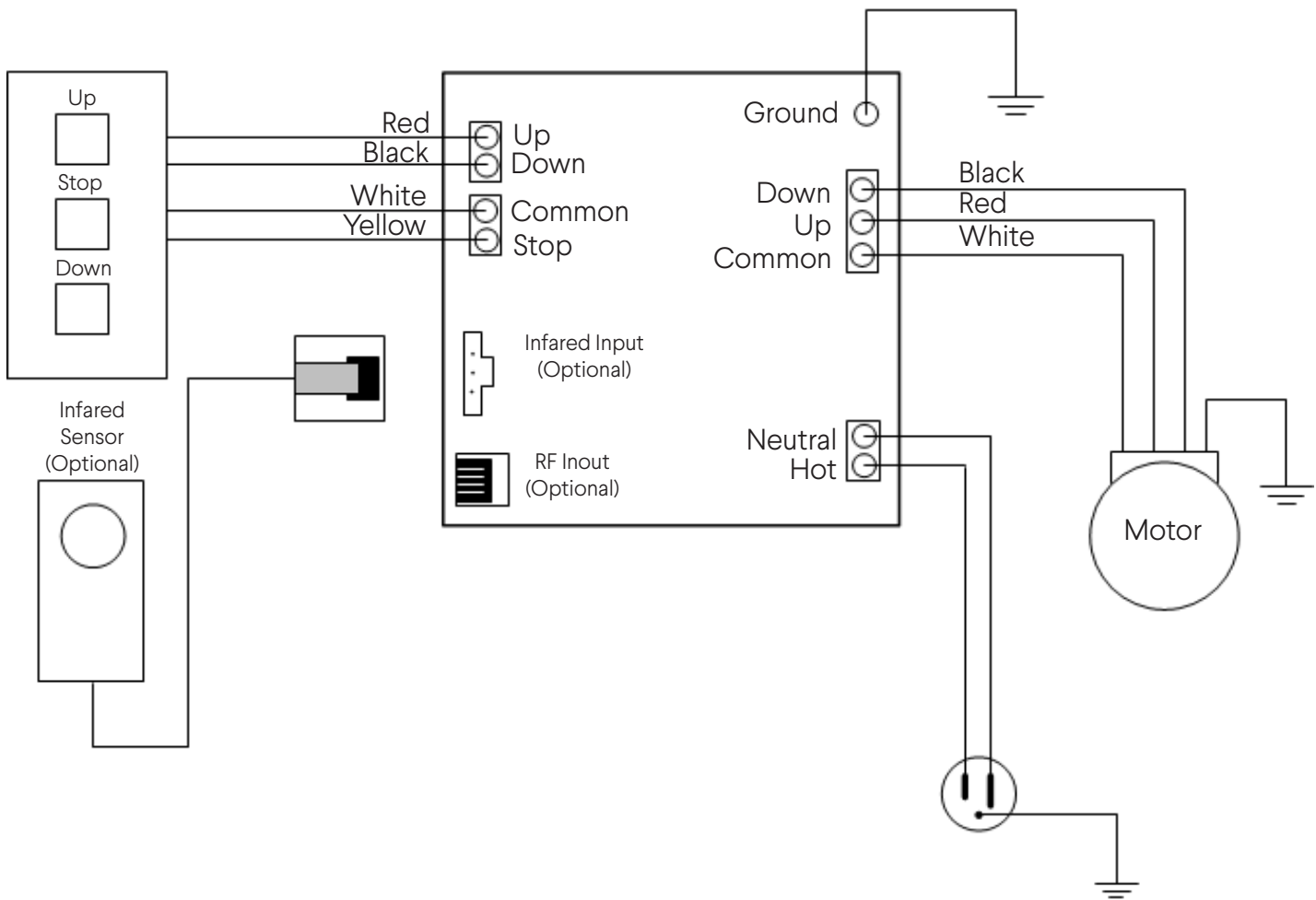
Stewart
F I L M S C R E E N

The Reference for Stunning™

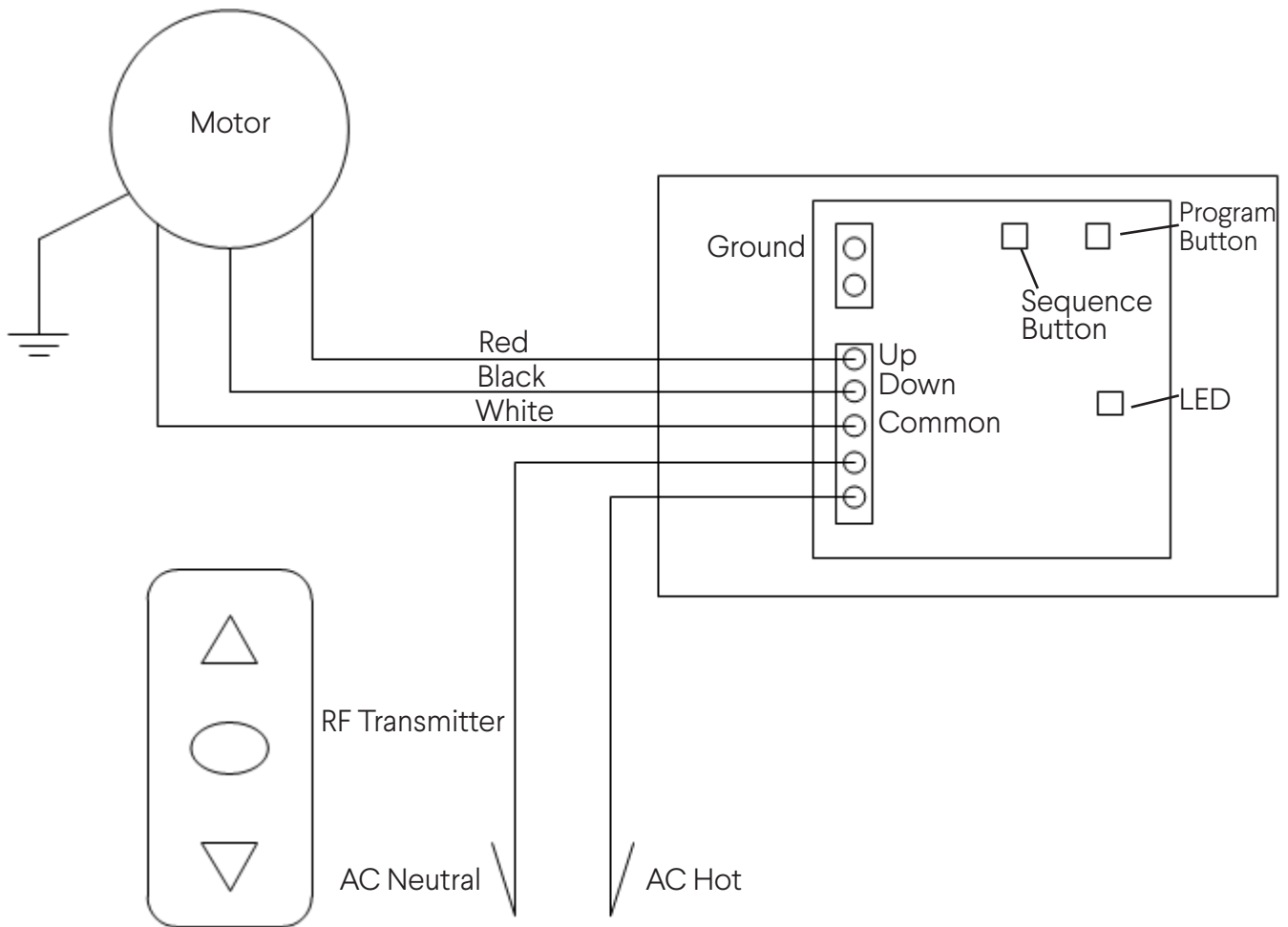
Standard Control		
Control	PowerOptions	Description
Low Voltage Control w/Wall Switch (LVC)	120V / 220-240V	The Low Voltage Control (with Wall Switch) is a screen control that allows for switching conductors to be run in Class II (small wire, exposed, no conduit) and will interface with most outboard video switching systems.
Optional Control		
Control	PowerOptions	Description
Infrared Remote (IRR)	1120V / 220-240V	The IRR is an infrared (IR) low voltage control (LVC) that includes a modular, plug-in infrared (IR) sensor and hand-held transmitter.
Wireless Remote Control (WRC)	120V / 220-240V	The Wireless Remote Control (WRC) uses radio frequency (RF) signals to control an external receiver that is connected to the screen's motor leads and plugs directly into a standard AC outlet. It has up, down, and stop functions.
Video Interface Control System (VICS)	120V / 220-240V	VICS is a external version of the Screen Trigger Interface (STI). It interfaces with the triggering outputs from projectors, receivers, or other 3rd party control systems.



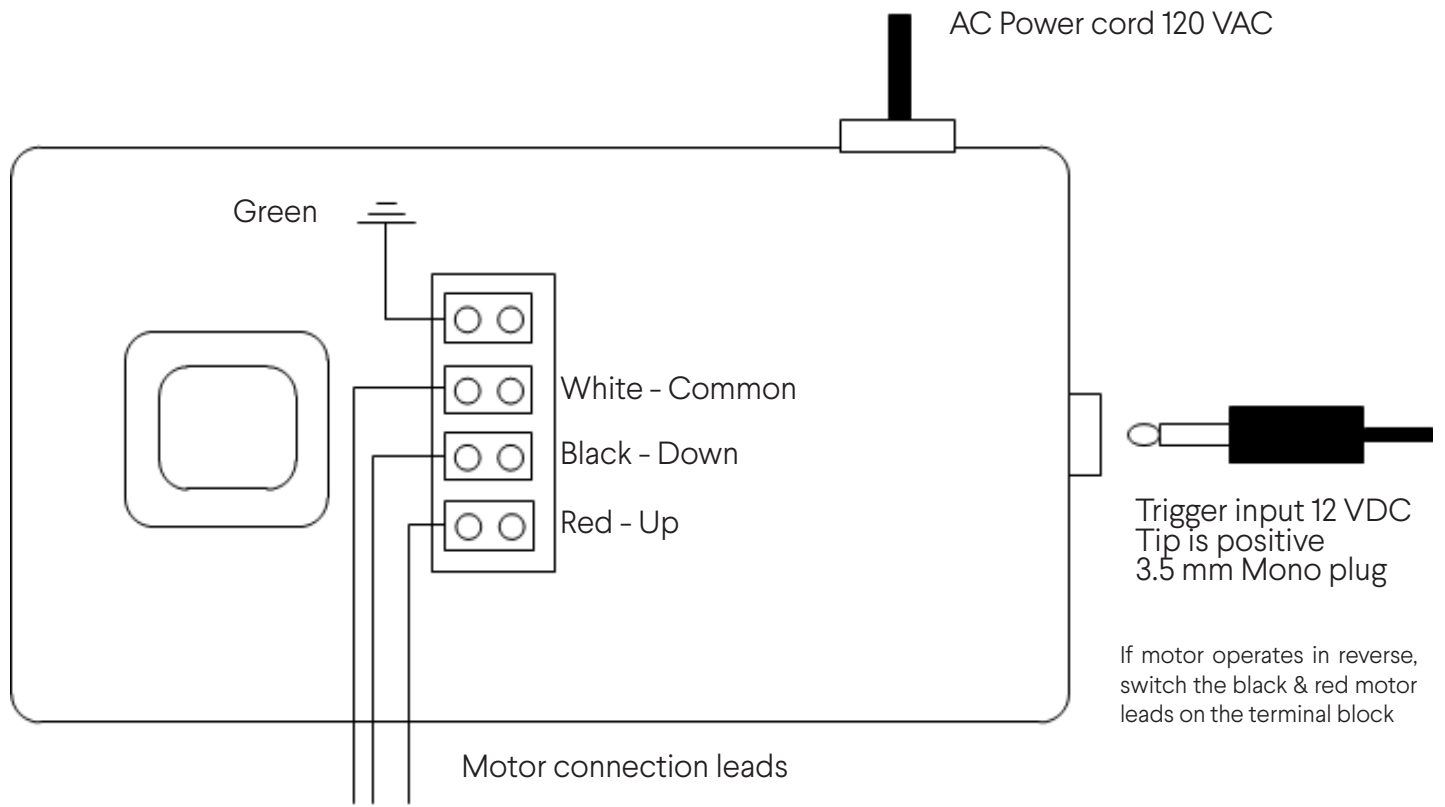
The Low Voltage Control (with Wall Switch) is a screen control that allows for switching conductors to be run in Class II (small wire, exposed, no conduit) and will interface with most outboard video switching systems.



The IRR is an infrared (IR) low voltage control (LVC) that includes a modular, plug-in infrared (IR) sensor and hand-held transmitter.



The Wireless Remote Control (WRC) uses radio frequency (RF) signals to control an external receiver that is connected to the screen's motor leads and plugs directly into a standard AC outlet. It has up, down, and stop functions.



The VICS is an external version of the Screen Trigger Interface (STI). It interfaces with the triggering outputs from projectors, receivers, or other 3rd party control systems.

Stewart
F I L M S C R E E N

The Reference for Stunning™

www.stewartfilmscreen.com

1161 W. Sepulveda Blvd., Torrance CA 90502 USA | 800.762.4999 | Tel: 310.784.5300 | Fax: 310.326.6870 | Email: request@stewartfilmscreen.com

©2021 Stewart Filmscreen. Specifications are subject to change without notice.