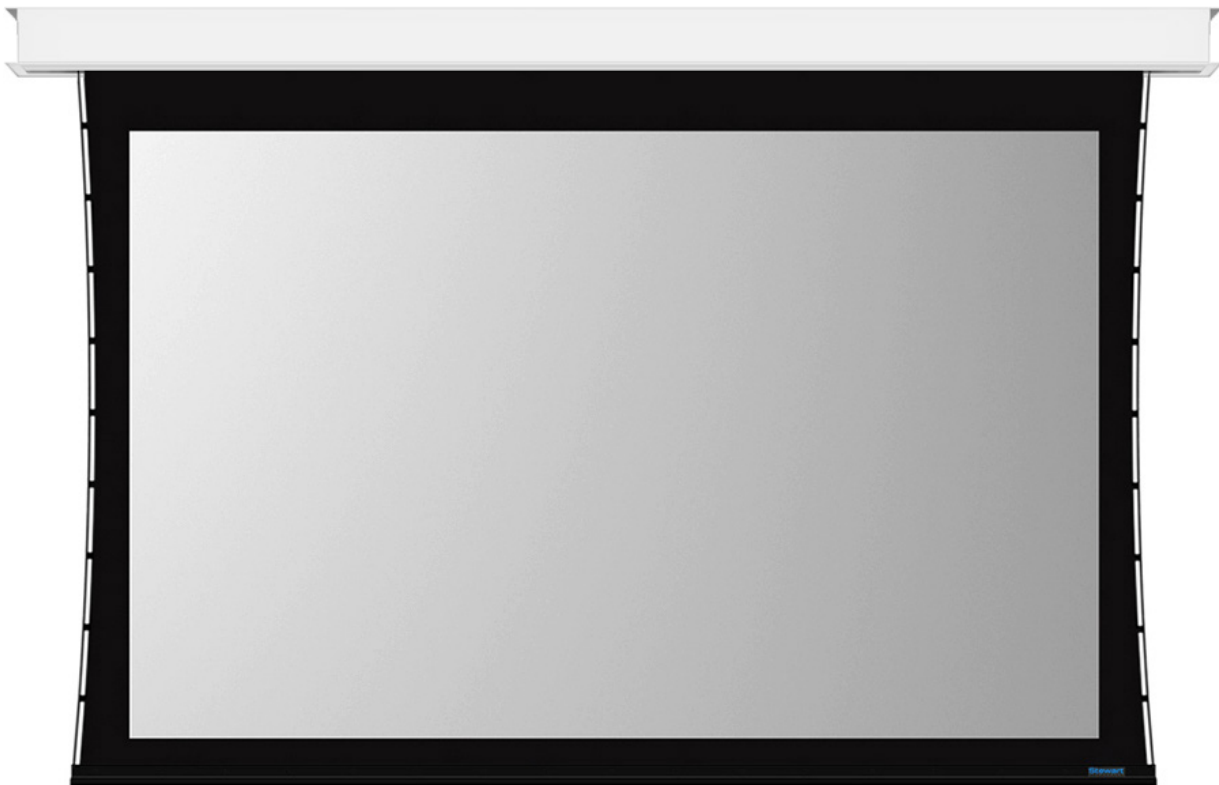


Cascade Medio

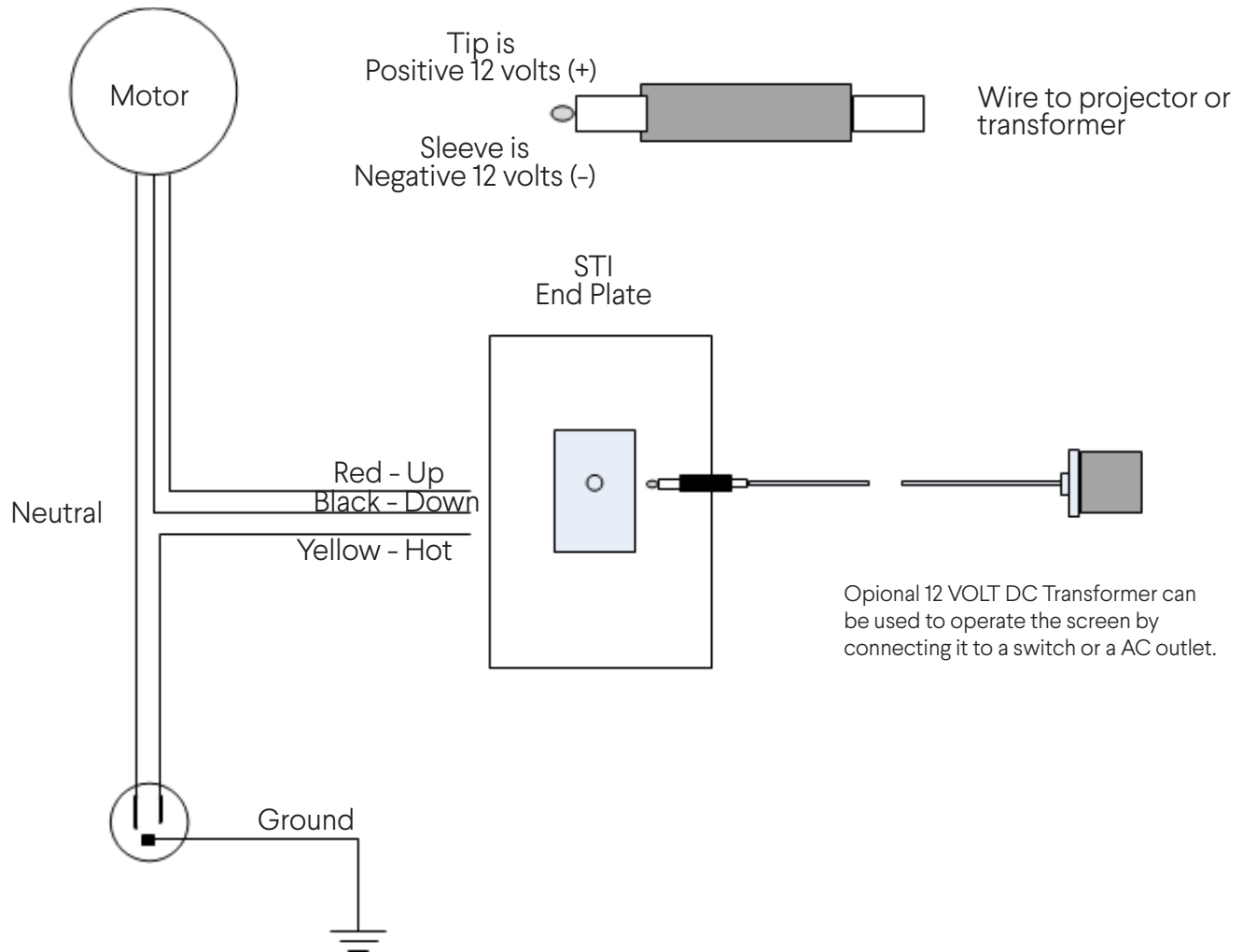
Standard and Optional Controls



Stewart
F I L M S C R E E N

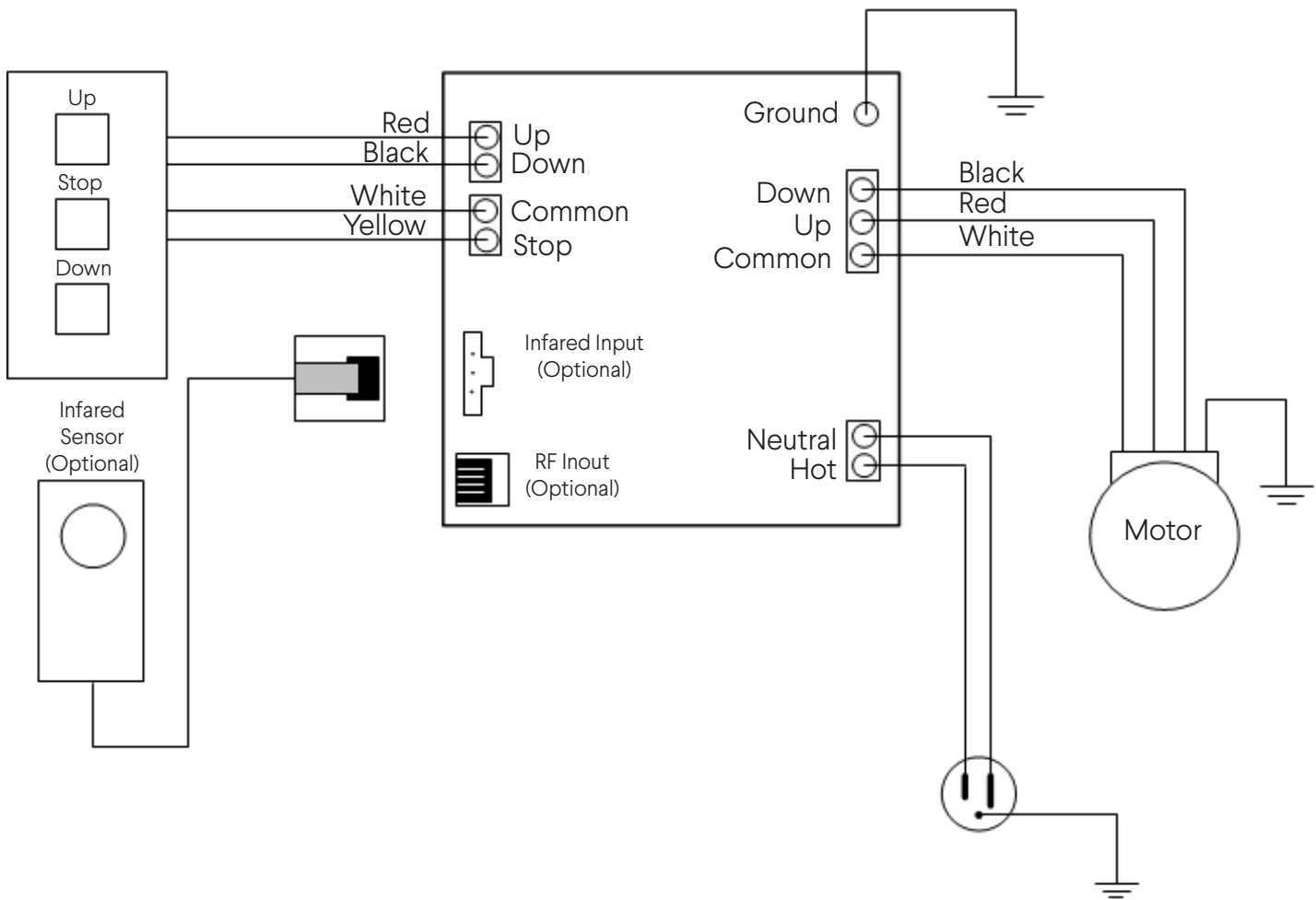
The Reference for Stunning™

Standard Control		
Control	PowerOptions	Description
Screen Trigger Interface (STI)	120V / 220-240V	The Stewart Filmscreen Screen Trigger Interface (STI) is a factory-installed triggering device that has been designed specifically for the Stewart ElectriScreen motors.
Optional Control		
Control	PowerOptions	Description
Infrared Remote (IRR)	1120V / 220-240V	The IRR is an infrared (IR) low voltage control (LVC) that includes a modular, plug-in infrared (IR) sensor and hand-held transmitter.
Wireless Remote Control (WRC) or Dual Channel WRC	120V / 220-240V	The Wireless Remote Control (WRC) uses radio frequency (RF) signals to control an external receiver that is connected to the screen's motor leads and plugs directly into a standard AC outlet. It has up, down, and stop functions.
High Voltage Wall Switch	120V / 220-240V	The High Voltage Wall Switch is your basic, 3-position, latched, high voltage toggle wall switch.
Low Voltage Control w/Wall Switch (LVC)	120V / 220-240V	The Low Voltage Control (with Wall Switch) is a screen control that allows for switching conductors to be run in Class II (small wire, exposed, no conduit) and will interface with most outboard video switching systems.

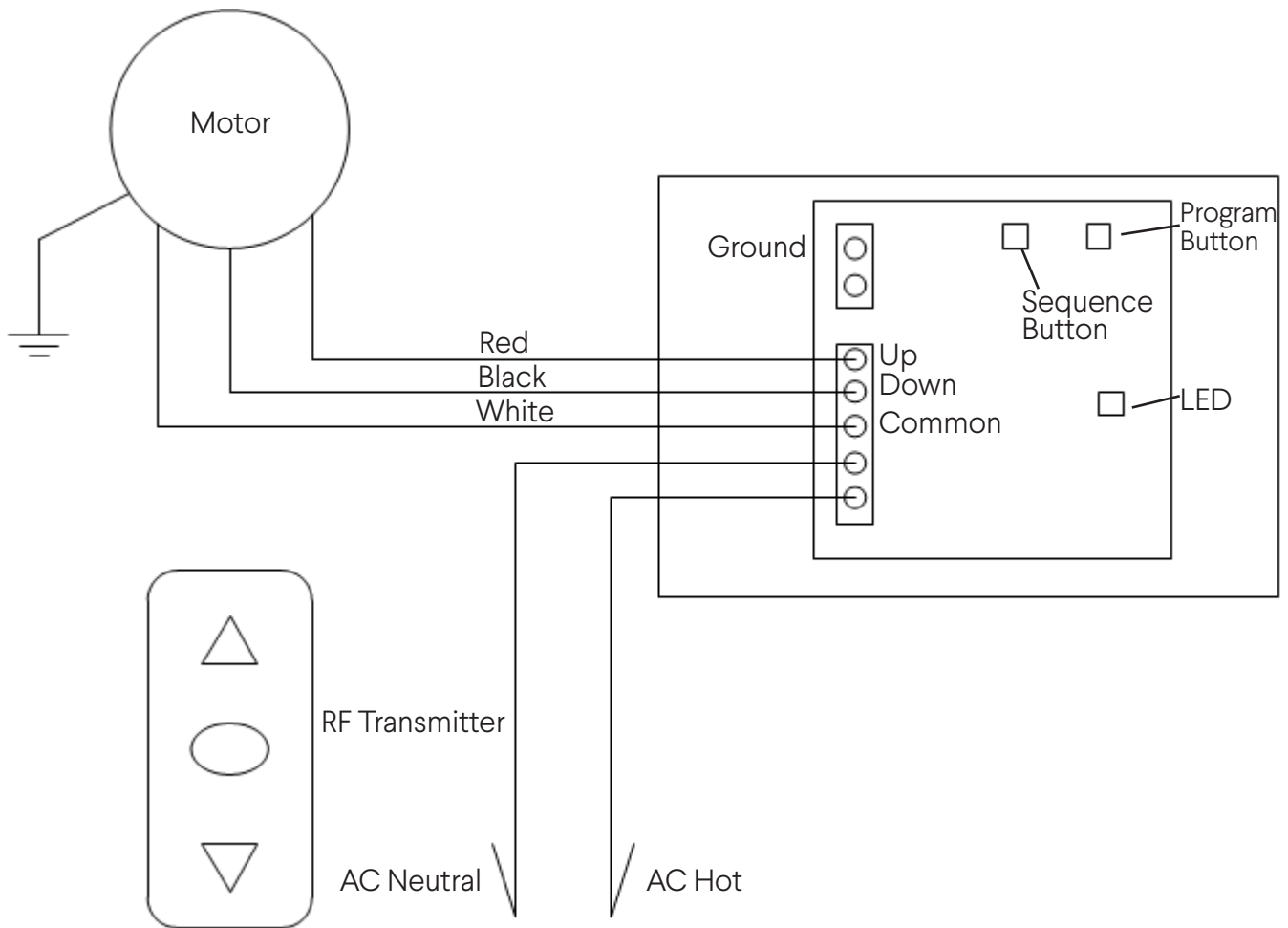


The Stewart Filmscreen Screen Trigger Interface (STI) is a factory-installed control interface that has been designed specifically for the Stewart ElectriScreen motors. A constant 5 – 12 VDC trigger signal activates the STI to lower the screen. Termination of this signal will prompt the STI to retract the screen. The Stewart STI has been designed to function effectively with all the various trigger outputs from a multitude of projector types.

If the projector does not have a trigger output, a 12 VDC wall transformer can be used from a switched outlet. Or the output leads from this transformer could be placed on a switch or relay to operate the screen while the transformer is placed on a “constant” AC outlet.



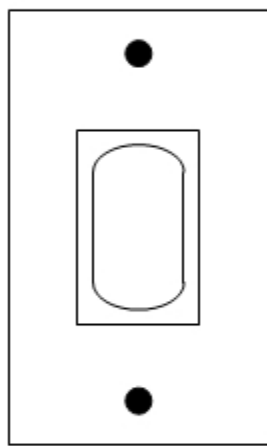
The IRR is an infrared (IR) low voltage control (LVC) that includes a modular, plug-in infrared (IR) sensor and hand-held transmitter.



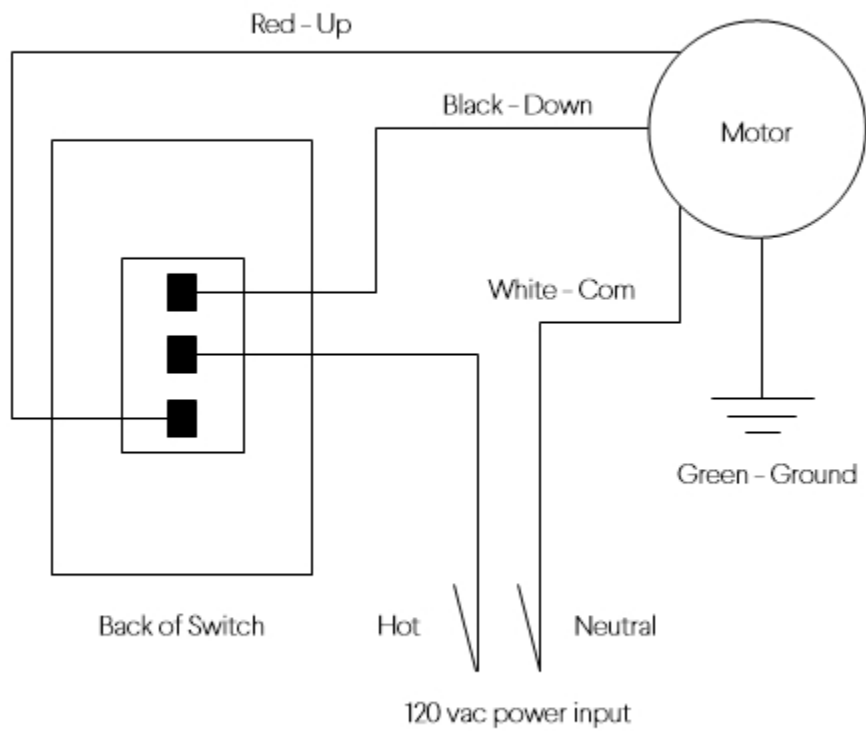
The Wireless Remote Control (WRC) uses radio frequency (RF) signals to control an external receiver that is connected to the screen's motor leads and plugs directly into a standard AC outlet. It has up, down, and stop functions.

The Dual Channel WRC consist of a second receiver and multi-channel transmitter for controlling masking panels.

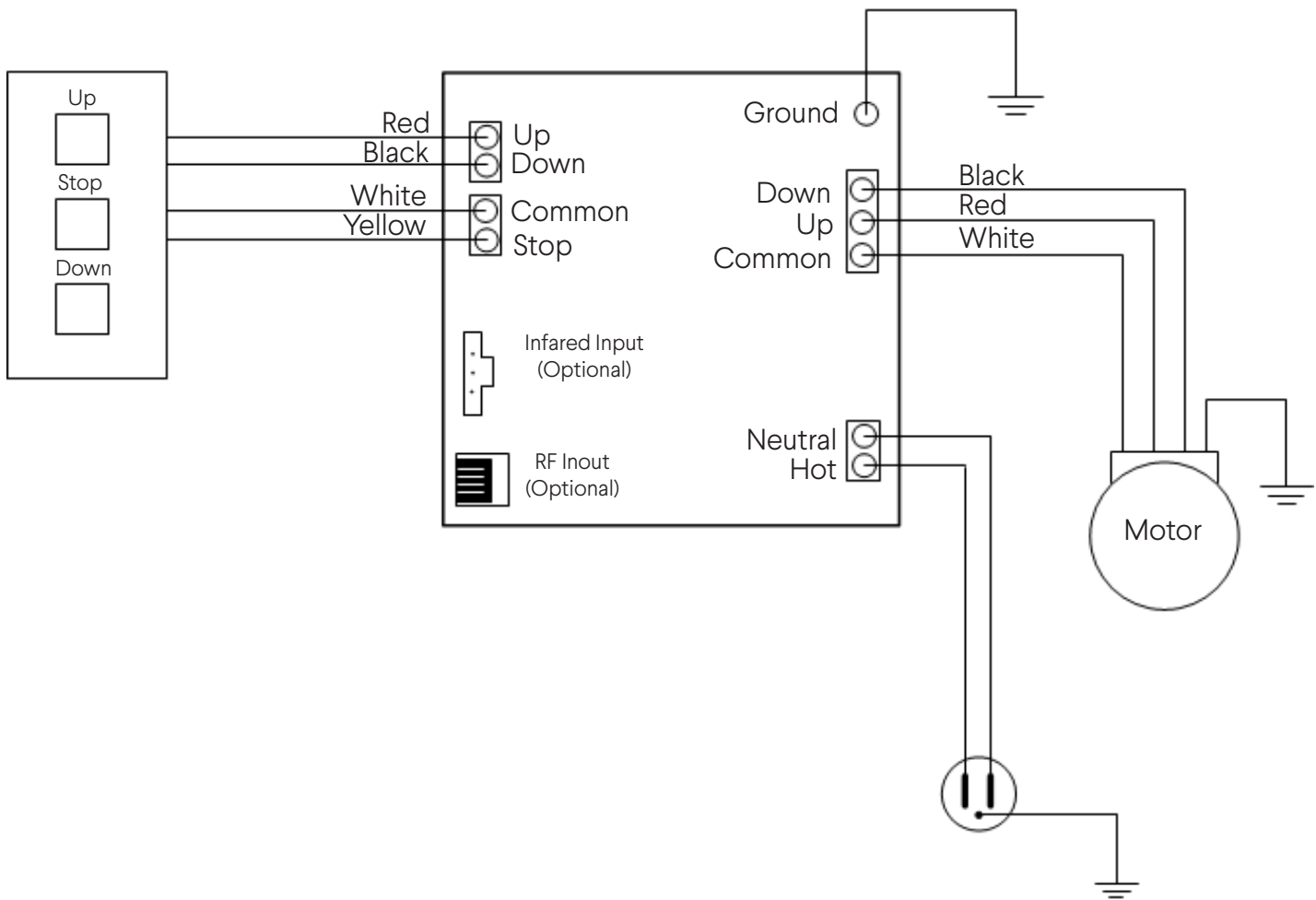
SFC H.V. Latched Rocker Switch
Single Pole Double Throw - SPDT



Front of Switch



The High Voltage Wall Switch is your basic, 3-position, latched, high voltage toggle wall switch.



The Low Voltage Control (with Wall Switch) is a screen control that allows for switching conductors to be run in Class II (small wire, exposed, no conduit) and will interface with most outboard video switching systems.



The Reference for Stunning™

www.stewartfilmscreen.com

1161 W. Sepulveda Blvd., Torrance CA 90502 USA | 800.762.4999 | Tel: 310.784.5300 | Fax: 310.326.6870 | Email: request@stewartfilmscreen.com

©2021 Stewart Filmscreen. Specifications are subject to change without notice.