

Luxus Grande

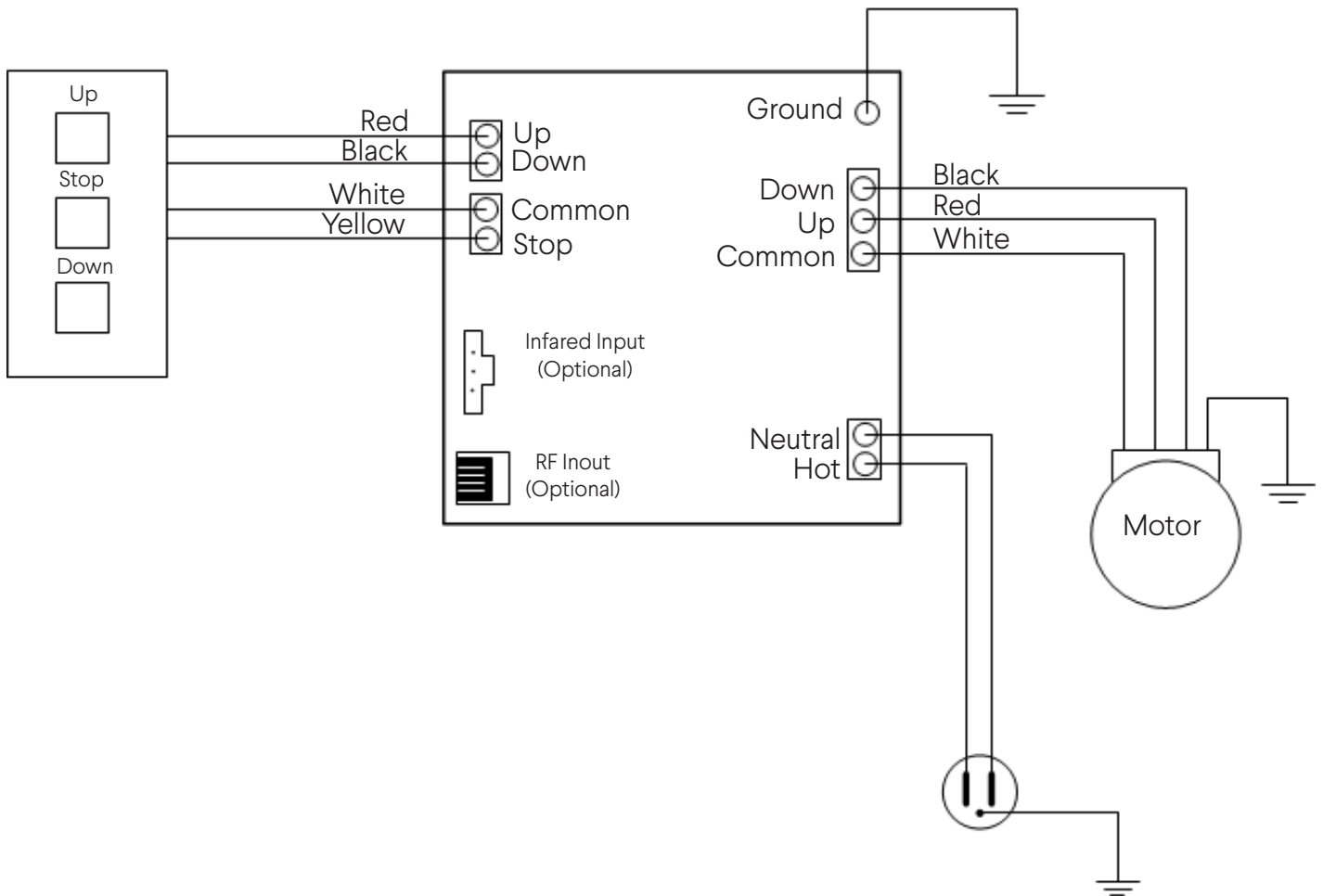
Standard and Optional Controls



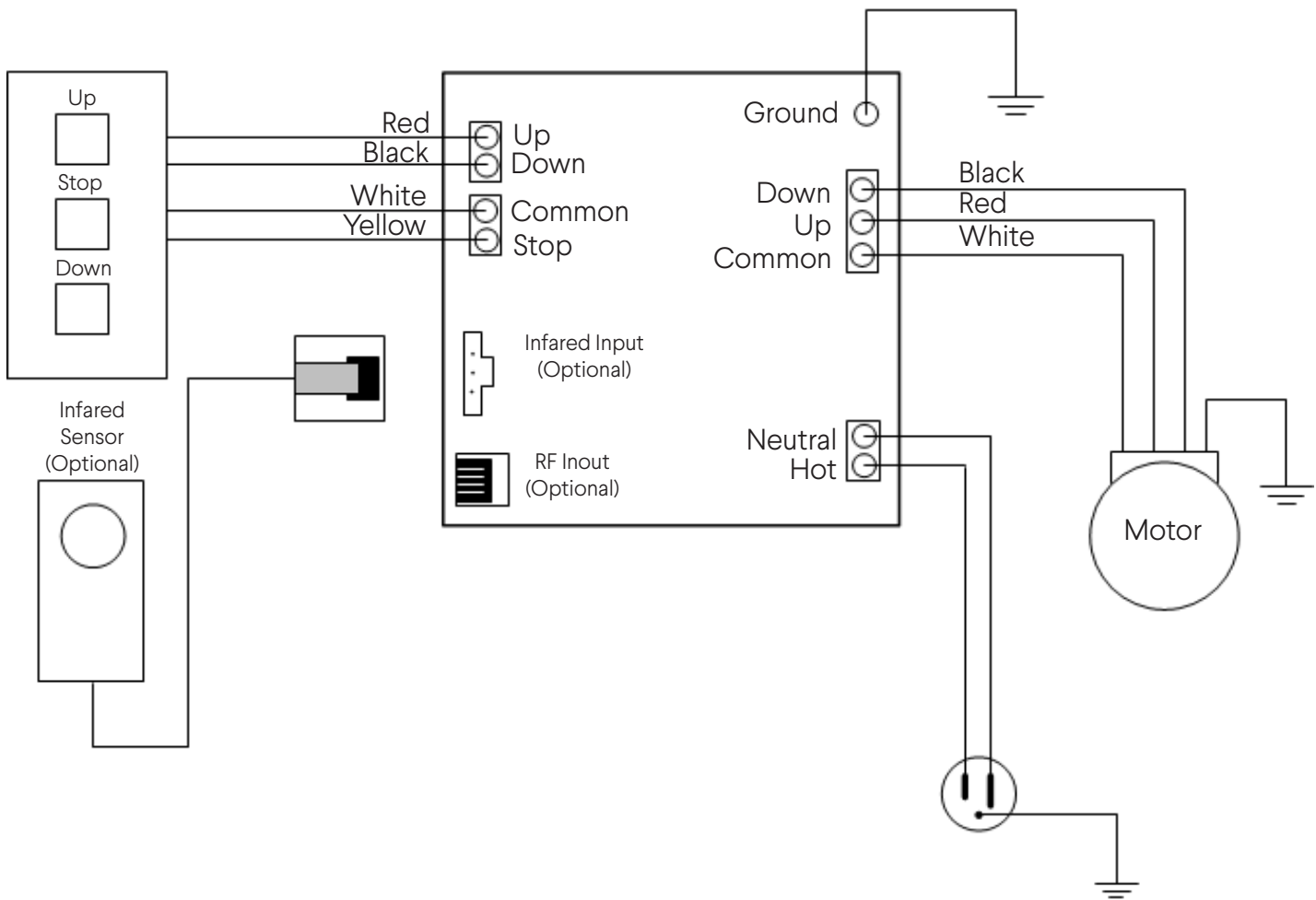
Stewart
F I L M S C R E E N

The Reference for Stunning™

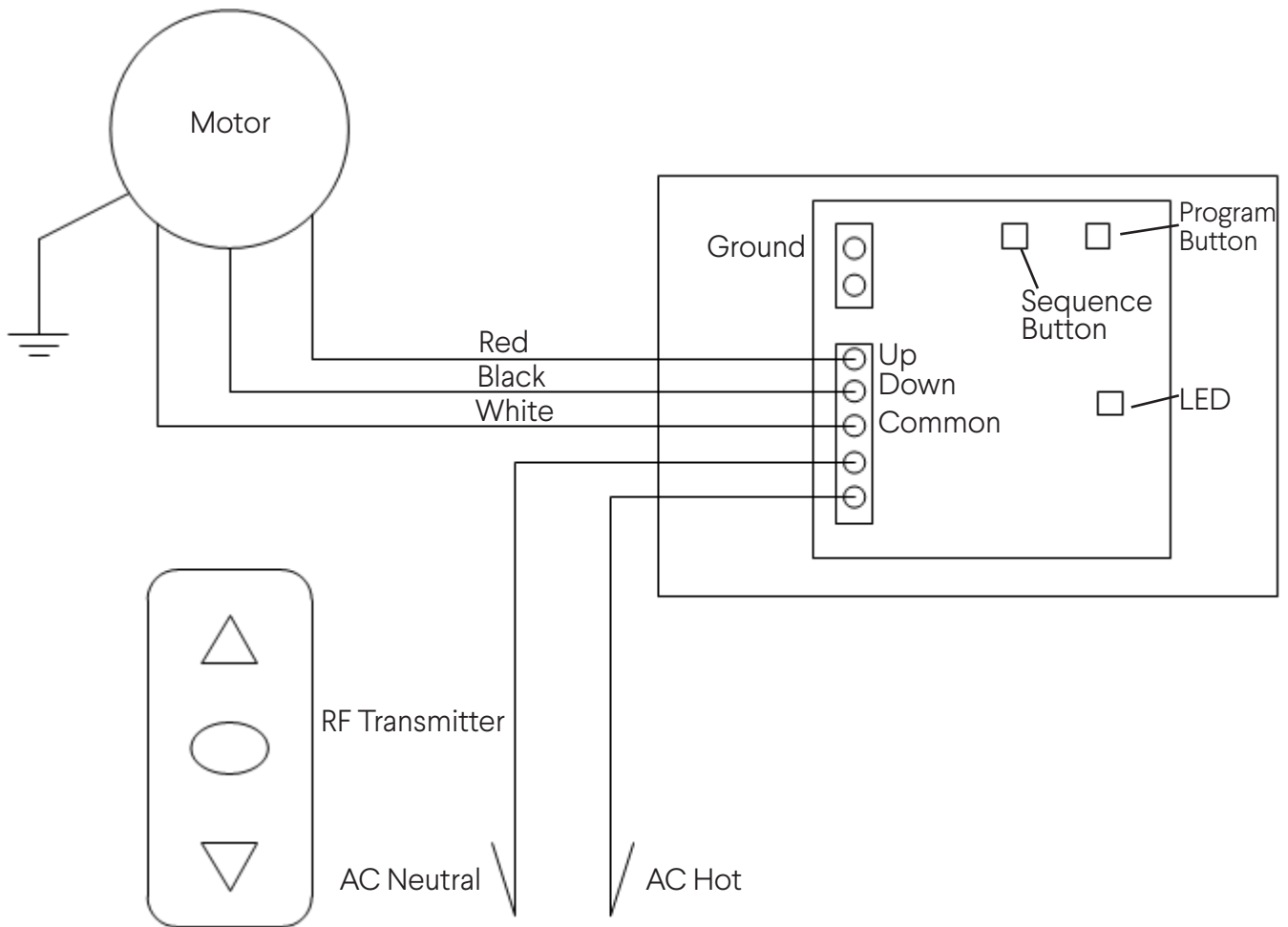
Standard Control		
Control	PowerOptions	Description
Low Voltage Control w/Wall Switch (LVC)	120V / 220-240V	The Low Voltage Control (with Wall Switch) is a screen control that allows for switching conductors to be run in Class II (small wire, exposed, no conduit) and will interface with most outboard video switching systems.
Optional Control		
Control	PowerOptions	Description
Infrared Remote (IRR)	1120V / 220-240V	The Wireless Remote Control (WRC) uses radio frequency (RF) signals to control an external receiver that is connected to the screen's motor leads and plugs directly into a standard AC outlet. It has up, down, and stop functions.
Wireless Remote Control (WRC)	120V / 220-240V	The Stewart Filmscreen Screen Trigger Interface (STI) is a factory-installed triggering device that has been designed specifically for the Stewart ElectriScreen motors.



The Low Voltage Control (with Wall Switch) is a screen control that allows for switching conductors to be run in Class II (small wire, exposed, no conduit) and will interface with most outboard video switching systems.



The IRR is an infrared (IR) low voltage control (LVC) that includes a modular, plug-in infrared (IR) sensor and hand-held transmitter.



The Wireless Remote Control (WRC) uses radio frequency (RF) signals to control an external receiver that is connected to the screen's motor leads and plugs directly into a standard AC outlet. It has up, down, and stop functions.



The Reference for Stunning™

www.stewartfilmscreen.com

1161 W. Sepulveda Blvd., Torrance CA 90502 USA | 800.762.4999 | Tel: 310.784.5300 | Fax: 310.326.6870 | Email: request@stewartfilmscreen.com

©2021 Stewart Filmscreen. Specifications are subject to change without notice.