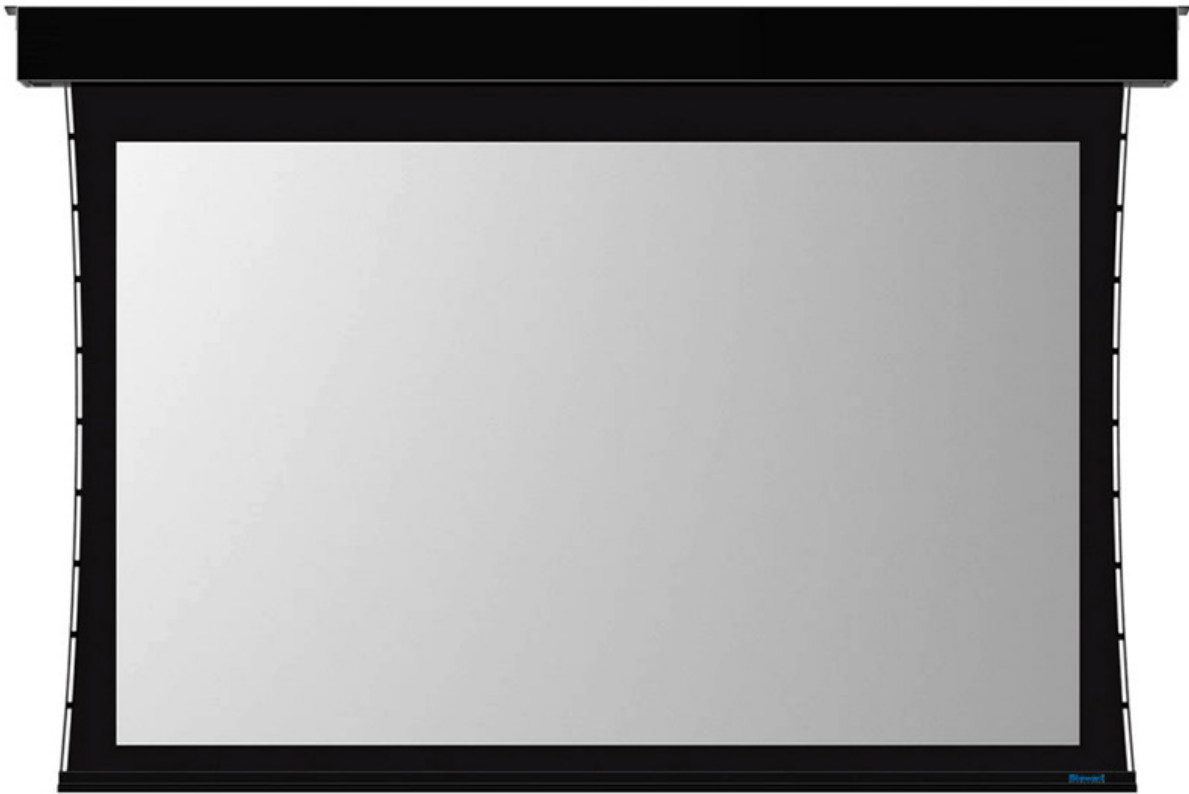


Luxus Medio

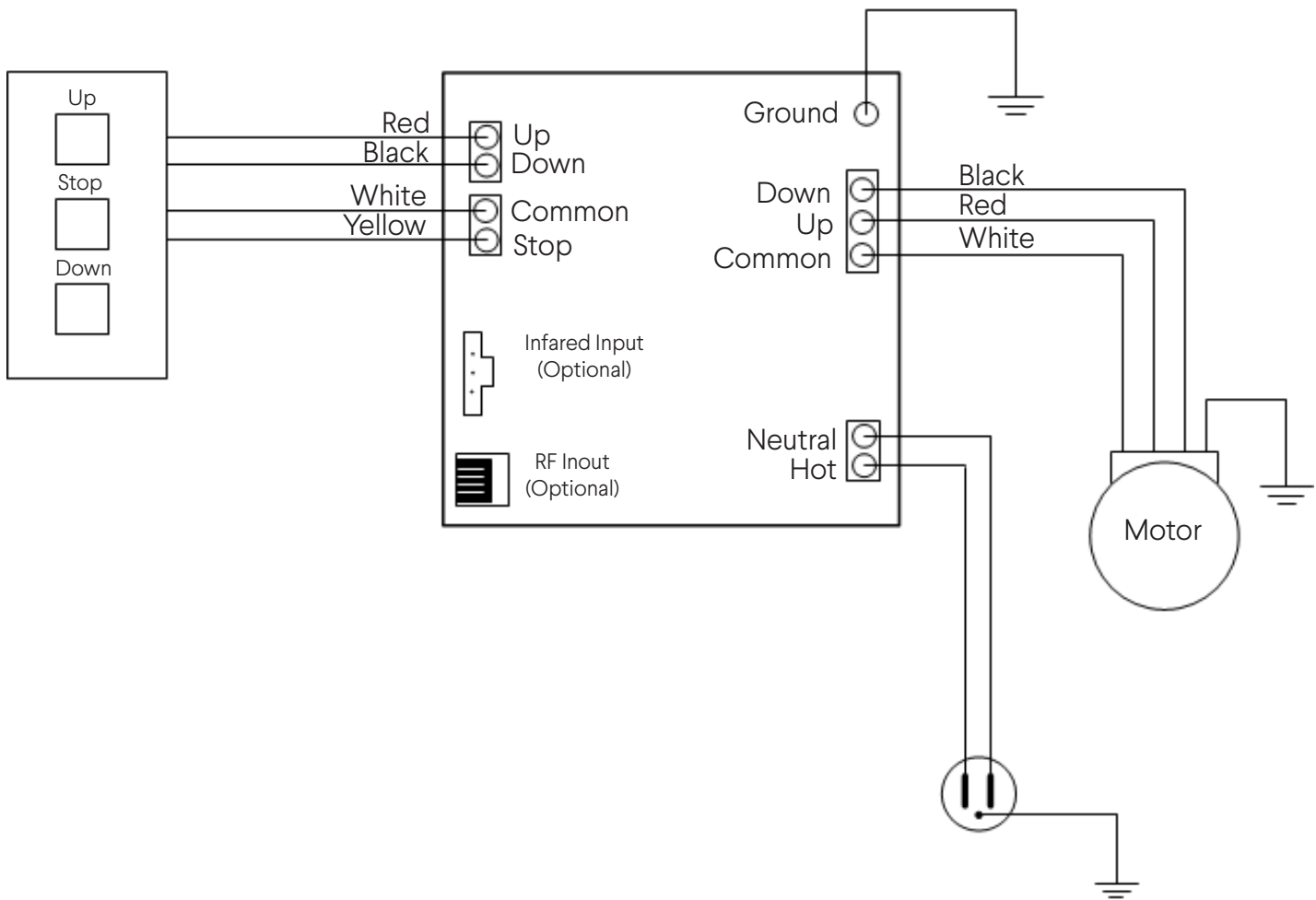
Standard and Optional Controls



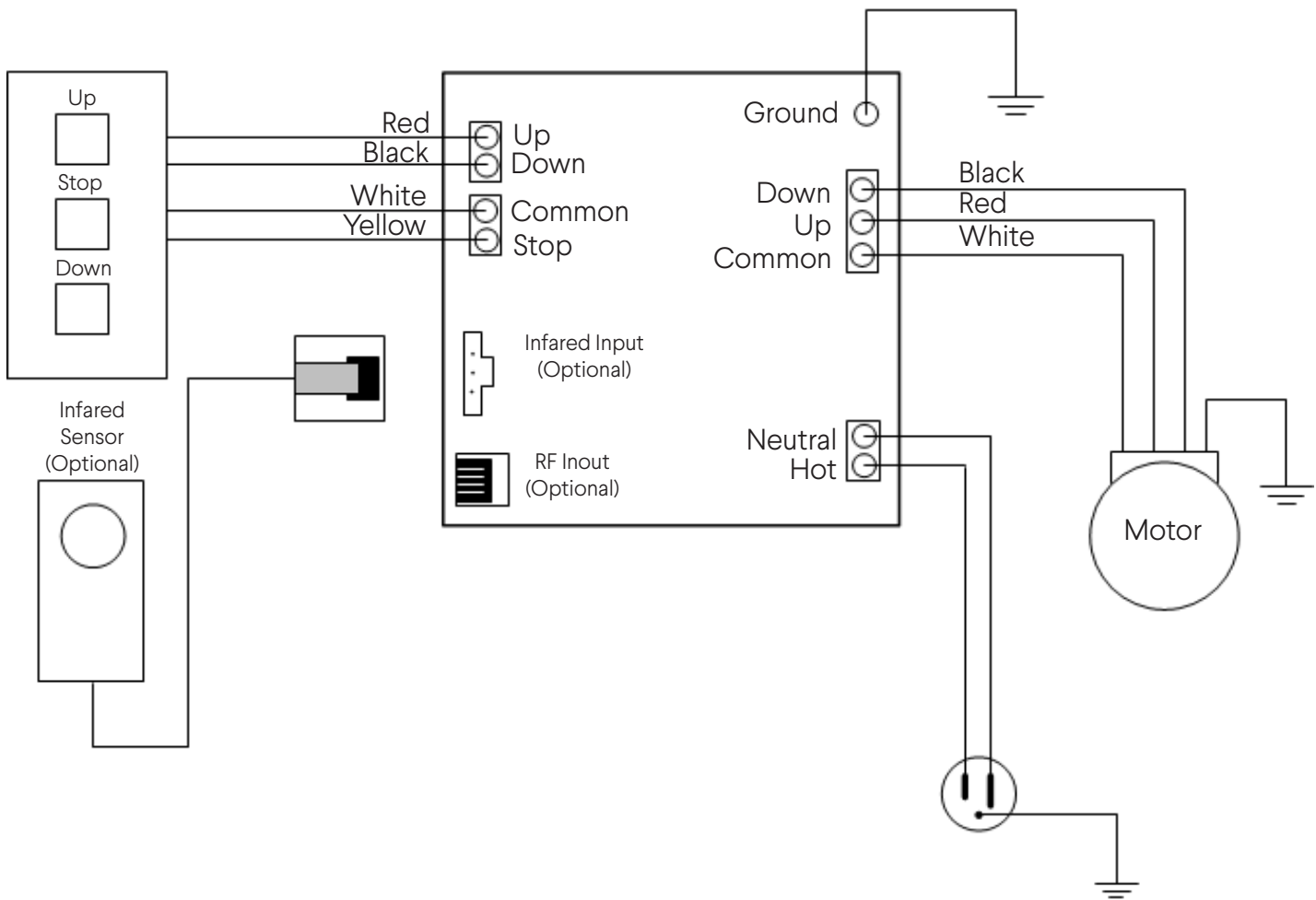
Stewart
F I L M S C R E E N

The Reference for Stunning™

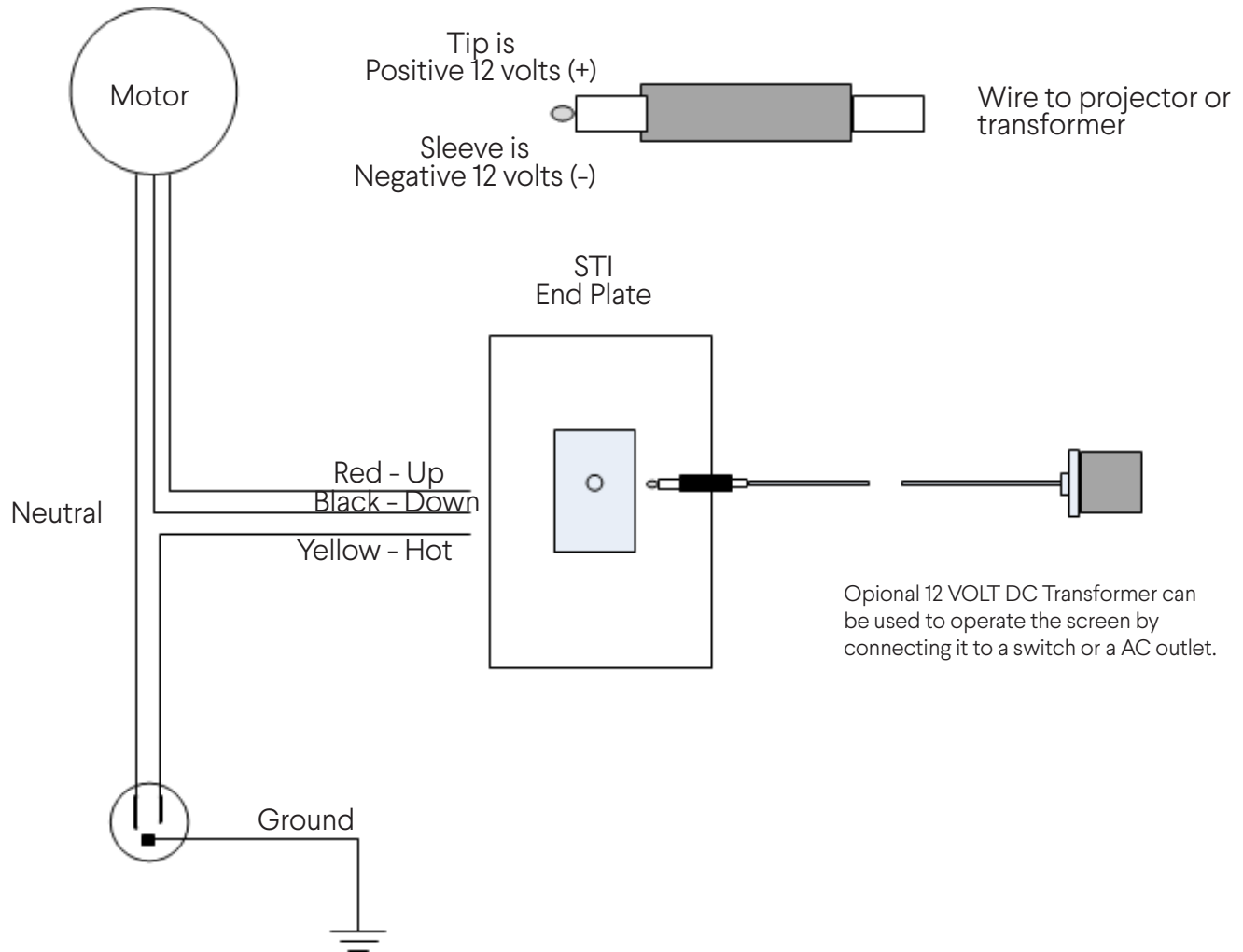
Standard Control		
Control	Power Options	Description
Low Voltage Control w/Wall Switch (LVC)	120V / 220-240V	The Low Voltage Control (with Wall Switch) is a screen control that allows for switching conductors to be run in Class II (small wire, exposed, no conduit) and will interface with most outboard video switching systems.
Optional Control		
Control	Power Options	Description
Infrared Remote (IRR)	1120V / 220-240V	The IRR is an infrared (IR) low voltage control (LVC) that includes a modular, plug-in infrared (IR) sensor and hand-held transmitter.
Screen Trigger Interface (STI)	120V / 220-240V	The Stewart Filmscreen Screen Trigger Interface (STI) is a factory-installed triggering device that has been designed specifically for the Stewart ElectriScreen motors.
Video Interface Control System (VICS)	120V / 220-240V	VICS is a external version of the Screen Trigger Interface (STI). It interfaces with the triggering outputs from projectors, receivers, or other 3rd party control systems.



The Low Voltage Control (with Wall Switch) is a screen control that allows for switching conductors to be run in Class II (small wire, exposed, no conduit) and will interface with most outboard video switching systems.

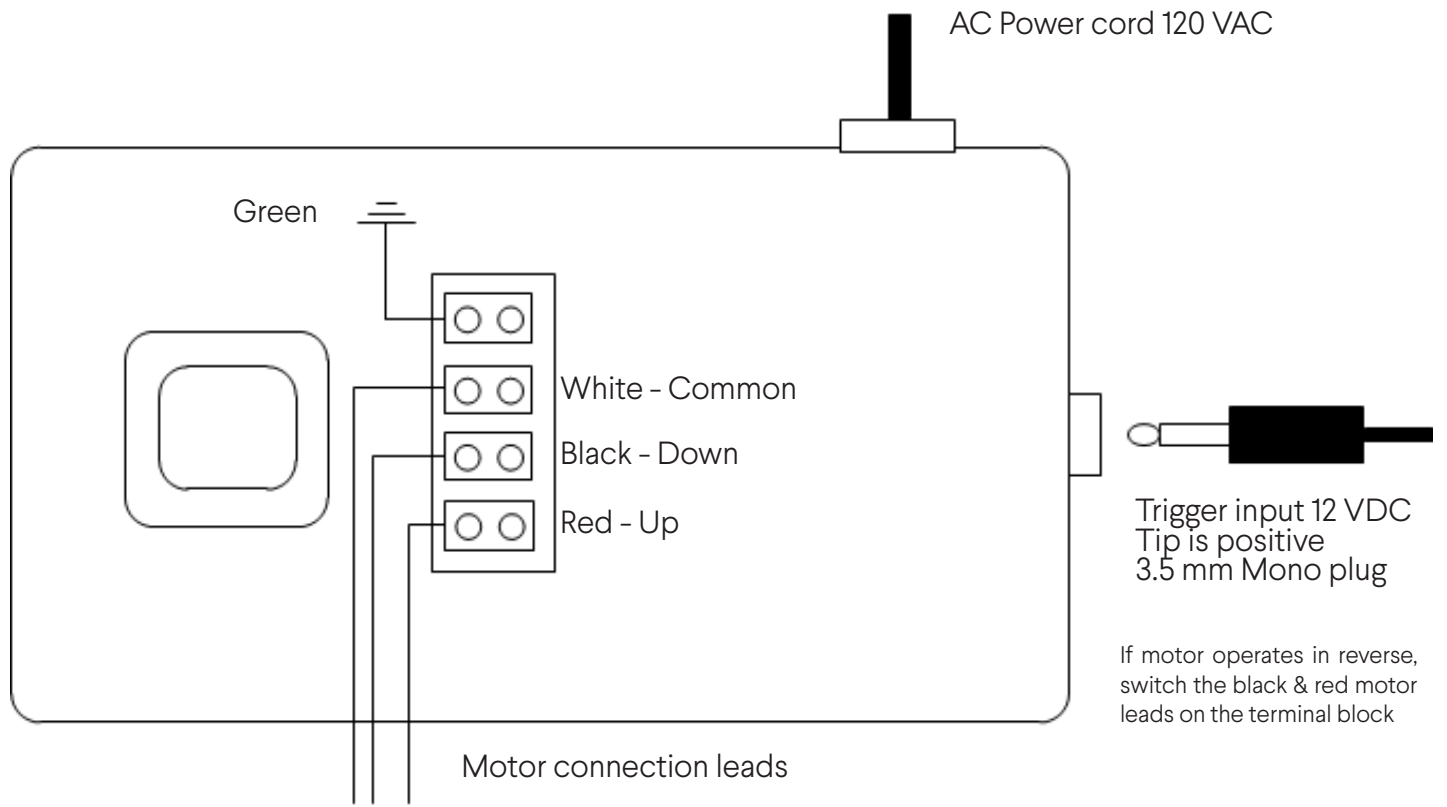


The IRR is an infrared (IR) low voltage control (LVC) that includes a modular, plug-in infrared (IR) sensor and hand-held transmitter.



The Stewart Filmscreen Screen Trigger Interface (STI) is a factory-installed control interface that has been designed specifically for the Stewart ElectriScreen motors. A constant 5 – 12 VDC trigger signal activates the STI to lower the screen. Termination of this signal will prompt the STI to retract the screen. The Stewart STI has been designed to function effectively with all the various trigger outputs from a multitude of projector types.

If the projector does not have a trigger output, a 12 VDC wall transformer can be used from a switched outlet. Or the output leads from this transformer could be placed on a switch or relay to operate the screen while the transformer is placed on a “constant” AC outlet.



The VICS is an external version of the Screen Trigger Interface (STI). It interfaces with the triggering outputs from projectors, receivers, or other 3rd party control systems.