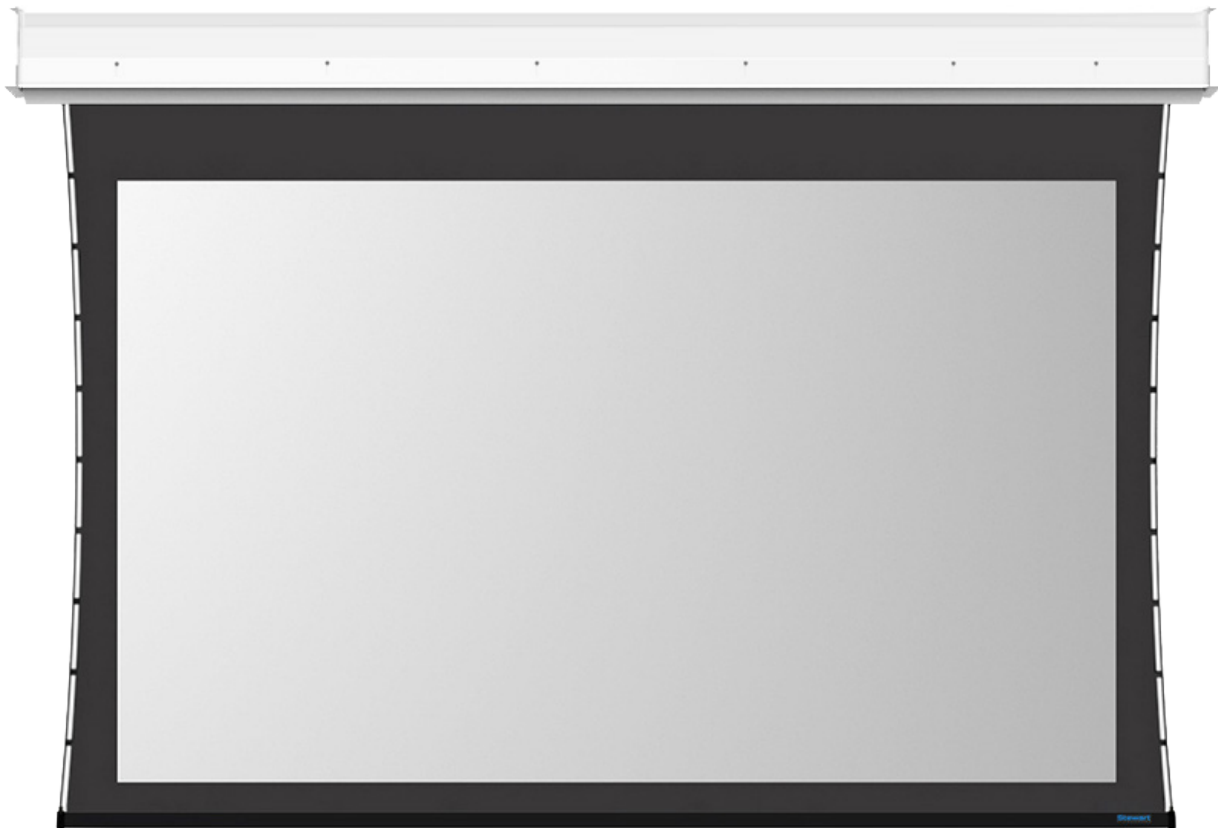


Stealth

Standard and Optional Controls



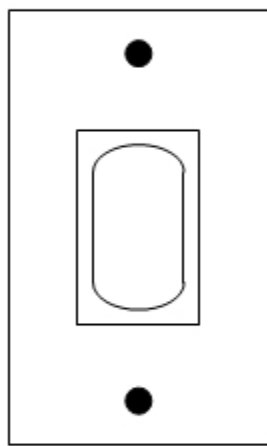
Stewart
FILMSCREEN

The Reference for Stunning™

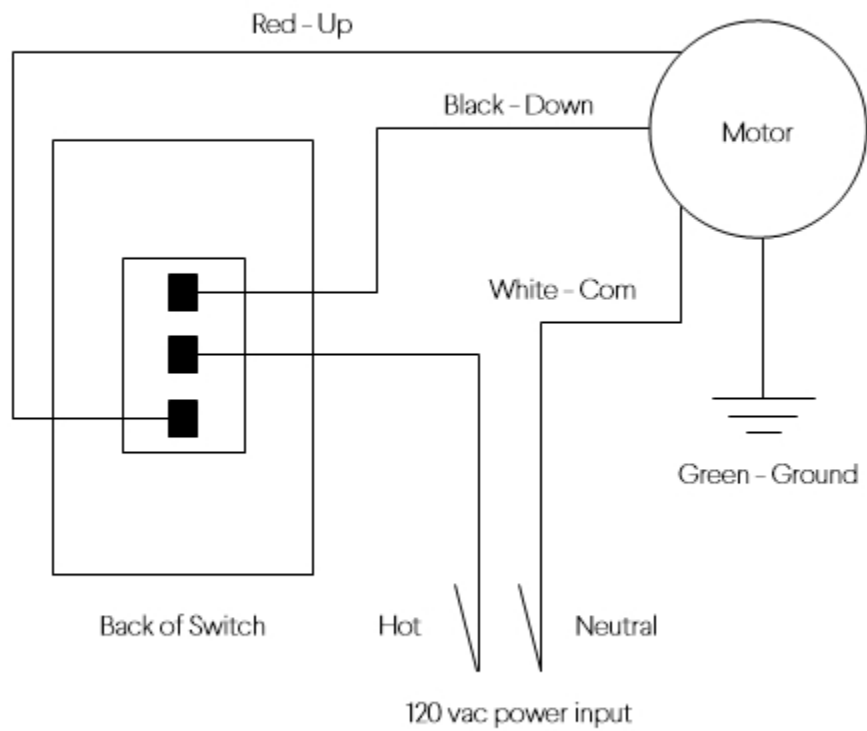
Standard Control		
Control	PowerOptions	Description
High Voltage Wall Switch	120V / 220-240V	The High Voltage Wall Switch is your basic, 3-position, latched, high voltage toggle wall switch.
Optional Control		
Control	PowerOptions	Description
Infrared Remote (IRR)	1120V / 220-240V	The IRR is an infrared (IR) low voltage control (LVC) that includes a modular, plug-in infrared (IR) sensor and hand-held transmitter.
Screen Trigger Interface (STI)	120V / 220-240V	The Stewart Filmscreen Screen Trigger Interface (STI) is a factory-installed triggering device that has been designed specifically for the Stewart ElectriScreen motors.
Video Interface Control System (VICS)	120V / 220-240V	VICS is a external version of the Screen Trigger Interface (STI). It interfaces with the triggering outputs from projectors, receivers, or other 3rd party control systems.
Intelligent Motor Control (IMC)	120V / 220-240V	The IMC is a low voltage screen control that allows for switching conductors to be run in Class II (small wire, exposed, no conduit) and will interface with outboard video switching systems.

Optional Control		
Control	Power Options	Description
Low Voltage Control w/Wall Switch (LVC)	120V / 220-240V	The Low Voltage Control (with Wall Switch) is a screen control that allows for switching conductors to be run in Class II (small wire, exposed, no conduit) and will interface with most outboard video switching systems.
Wireless Remote Control (WRC)	1120V / 220-240V	The Wireless Remote Control (WRC) uses radio frequency (RF) signals to control an external receiver that is connected to the screen's motor leads and plugs directly into a standard AC outlet. It has up, down, and stop functions.

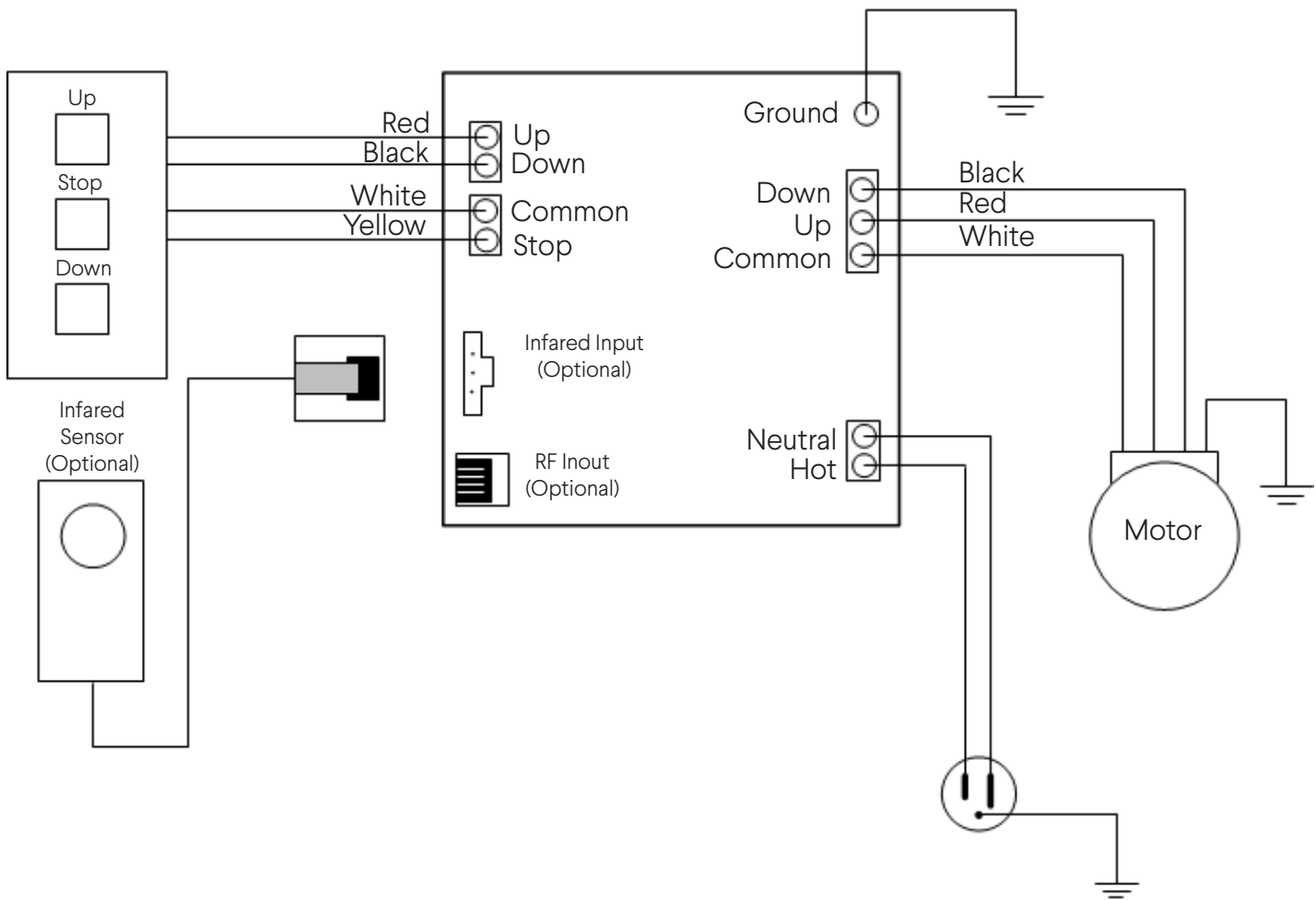
SFC H.V. Latched Rocker Switch
Single Pole Double Throw - SPDT



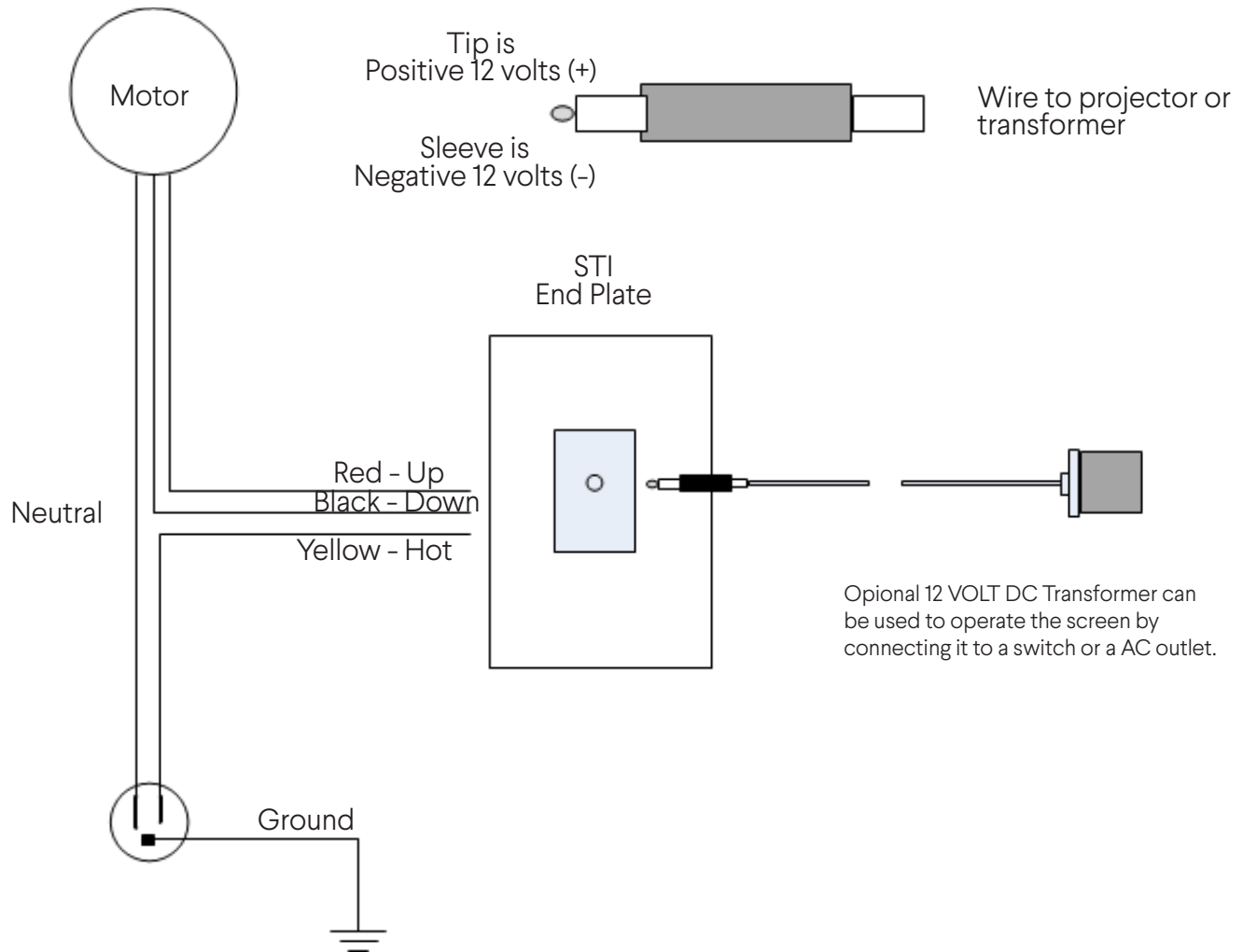
Front of Switch



The High Voltage Wall Switch is your basic, 3-position, latched, high voltage toggle wall switch.

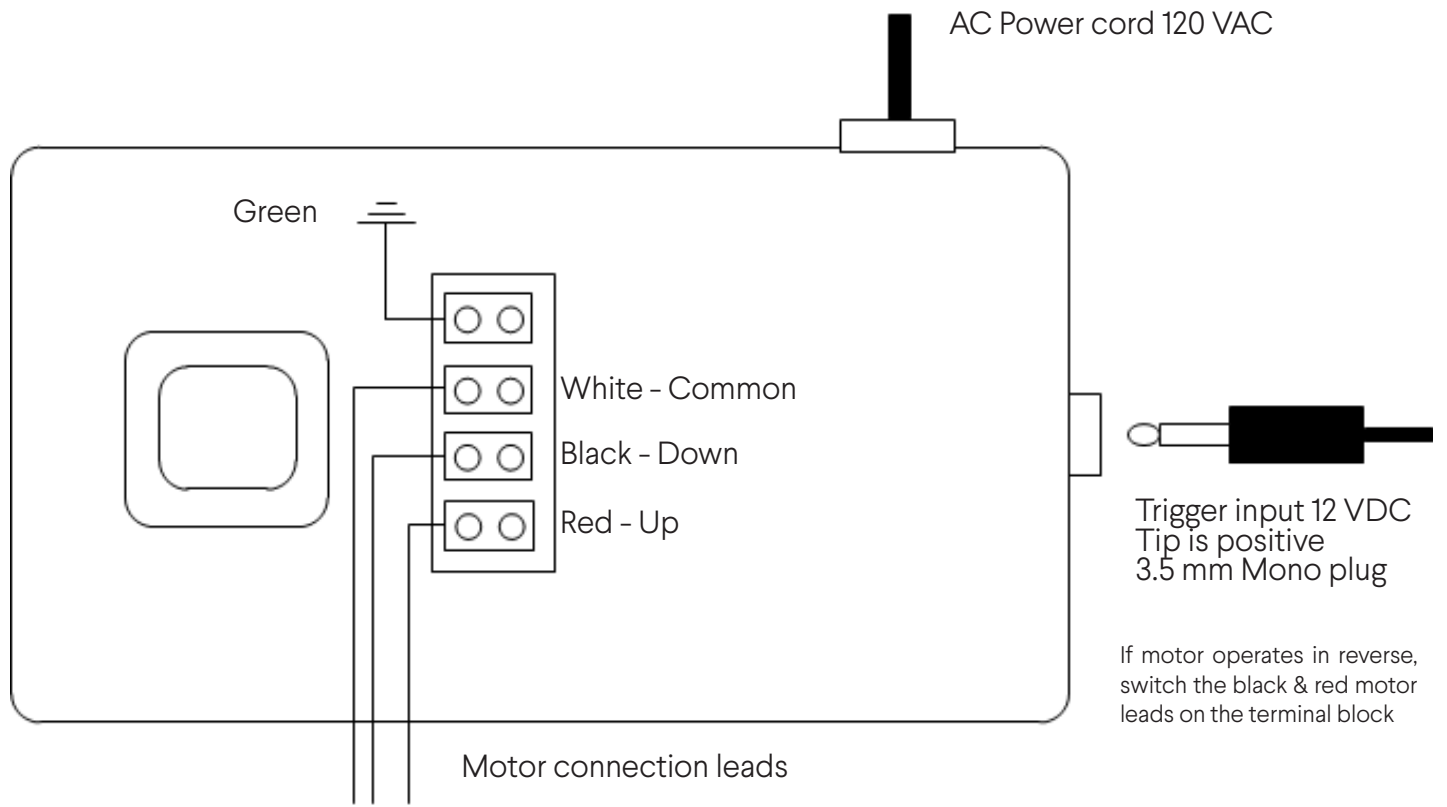


The IRR is an infrared (IR) low voltage control (LVC) that includes a modular, plug-in infrared (IR) sensor and hand-held transmitter.

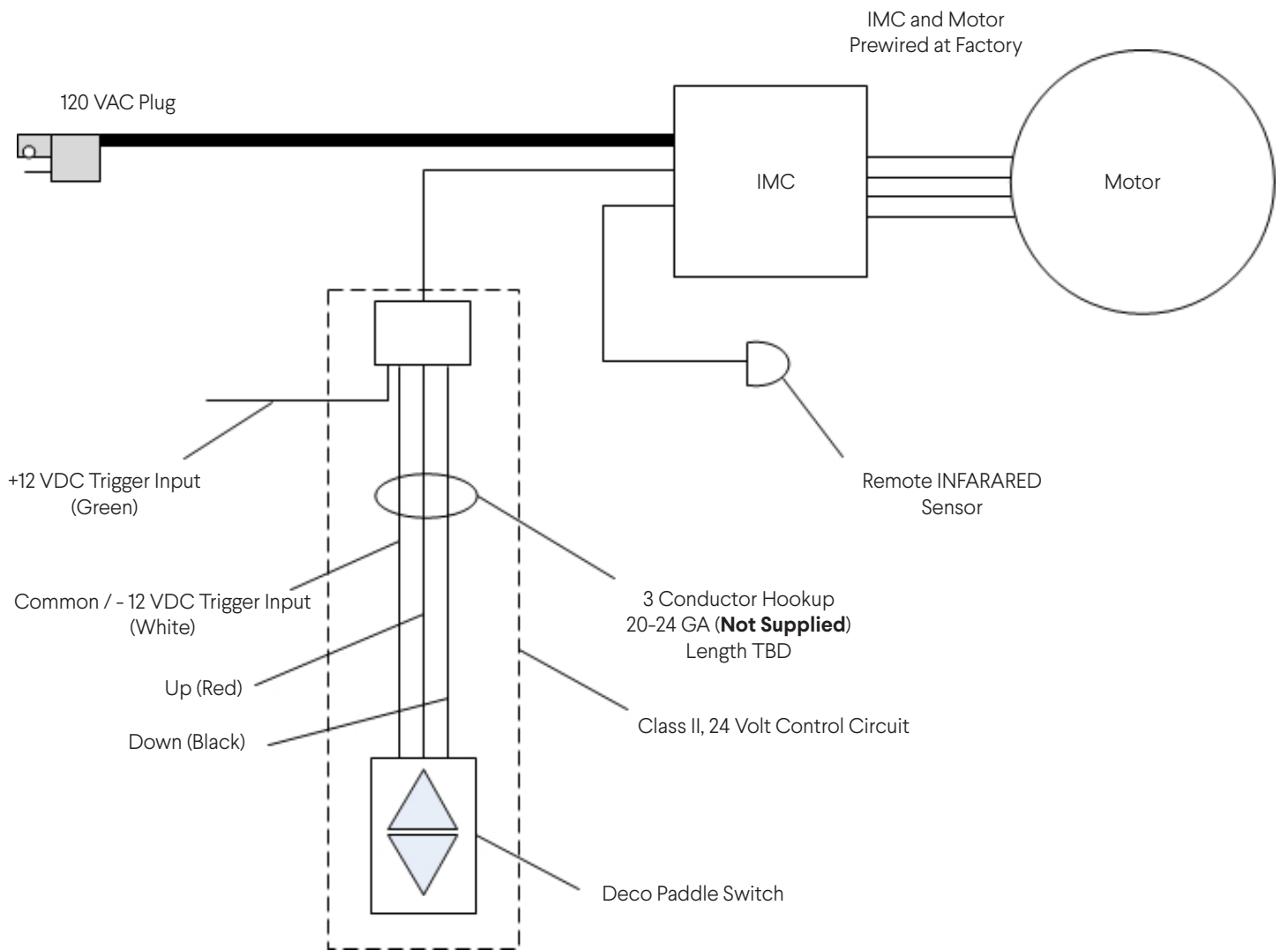


The Stewart Filmscreen Screen Trigger Interface (STI) is a factory-installed control interface that has been designed specifically for the Stewart ElectriScreen motors. A constant 5 – 12 VDC trigger signal activates the STI to lower the screen. Termination of this signal will prompt the STI to retract the screen. The Stewart STI has been designed to function effectively with all the various trigger outputs from a multitude of projector types.

If the projector does not have a trigger output, a 12 VDC wall transformer can be used from a switched outlet. Or the output leads from this transformer could be placed on a switch or relay to operate the screen while the transformer is placed on a “constant” AC outlet.



The VICS is an external version of the Screen Trigger Interface (STI). It interfaces with the triggering outputs from projectors, receivers, or other 3rd party control systems.



Wiring Diagram
120 VAC, 60HZ, 1.0A

The IMC is a low voltage screen control that allows for switching conductors to be run in Class II (small wire, exposed, no conduit) and will interface with outboard video switching systems.

Remote: IMC keypad (ILC-IR-10W1)

Buttons:

Button:

- A not implemented
- B not implemented
- C not implemented
- D not implemented
- Channel 1 UP-- code "23"
- Channel 1 DOWN --code "24"
- Channel 2 UP -- code "29"
- Channel 2 DOWN -- code "2A"
- Dual Floppy (left bottom)--not implemented
- (toggle) button--code "2B"

Code "23" Channel A UP

Learned Pronto IR code

0 f 6c 6 60 ab 15 40 14 16 56 ac 3f 6f fc 42 38 4c 0 20 60 66 2 26 20 44 0 40 30 0 10 11 4c 4 bf 4e fc 42 34 fc ae f2 ca 2f 44 c3 37

0000 006D 0000 0022 0156 00AB 0015 0015 0015 0040 0015 0015 0015 0015 0015 0015 0015 0015 0015 0015 0015 0040 0015 0040 0015 0015 0015 0015 0015 0015 0015 0015 0040 0015 0040 0015 0015 0015 0015 0015 0040 0015 0040 0015 0040 0015 0015 0015 0015 0015 0040 0015 0040 0015 0040 0015 0594

0000 006D 0022 0156 00AB 0015 0015 0015 0040 0015 0015 0015 0015 0015 0015 0015 0015 0015 0015 0015 0015 0040 0015 0040 0015 0015 0015 0015 0015 0015 0015 0015 0040 0015 0040 0015 0015 0015 0015 0015 0015 0015 0015 0015 0040 0015 0040 0015 0040 0015 0015 0015 0040 0015 0040 0015 0040 0015 0594

Learned Pronto IR code

0 f 6c 5 60 ab 15 40 56 ac 16 3f 6f fc 42 30 4d 0 0 40 44 0 4 0 40 40 40 0 4 4 4 44 f0 eb c4 2f 84 f0 bb ca 2b bf 10 c2 37

Original HEX code

0 f 6c 3 61 43 15 40 ab 3f 5f bc f2 b 21 10 0 0 10 11 0 1 0 10 10 10 0 1 1 1 1 7c 3



The Reference for Stunning™

Code "2B" Toggle

Learned Pronto IR code

0 f 6c 5 60 ad 15 40 56 ac 16 3f 6f fc 42 30 4d 0 0 40 44 0 4 0 44 40 40 0 0 4 4 44 f0 6b c5 2f 84 f0 db ca 2b
bf 10 c2 37

Original HEX code

0 f 6c 3 61 43 15 40 ab 3f 5f bc f2 b 21 10 0 0 10 11 0 1 0 11 10 10 0 0 11 11 7c 3

Code "24" Channel A DOWN

Learned Pronto IR code

0 f 6c 5 60 ab 15 40 56 ac 16 3f 6f fc 42 30 4d 0 0 40 44 0 4 0 0 4 40 0 44 40 4 44 f0 eb c4 2f 84 f0 bb ca 2b bf 10 c2 37

Original HEX code

0 f 6c 3 61 43 15 40 ab 3f 5f bc f2 b 21 10 0 0 10 11 0 1 0 0 11 0 0 11 10 11 11 7c 3

Code "29" Channel B UP

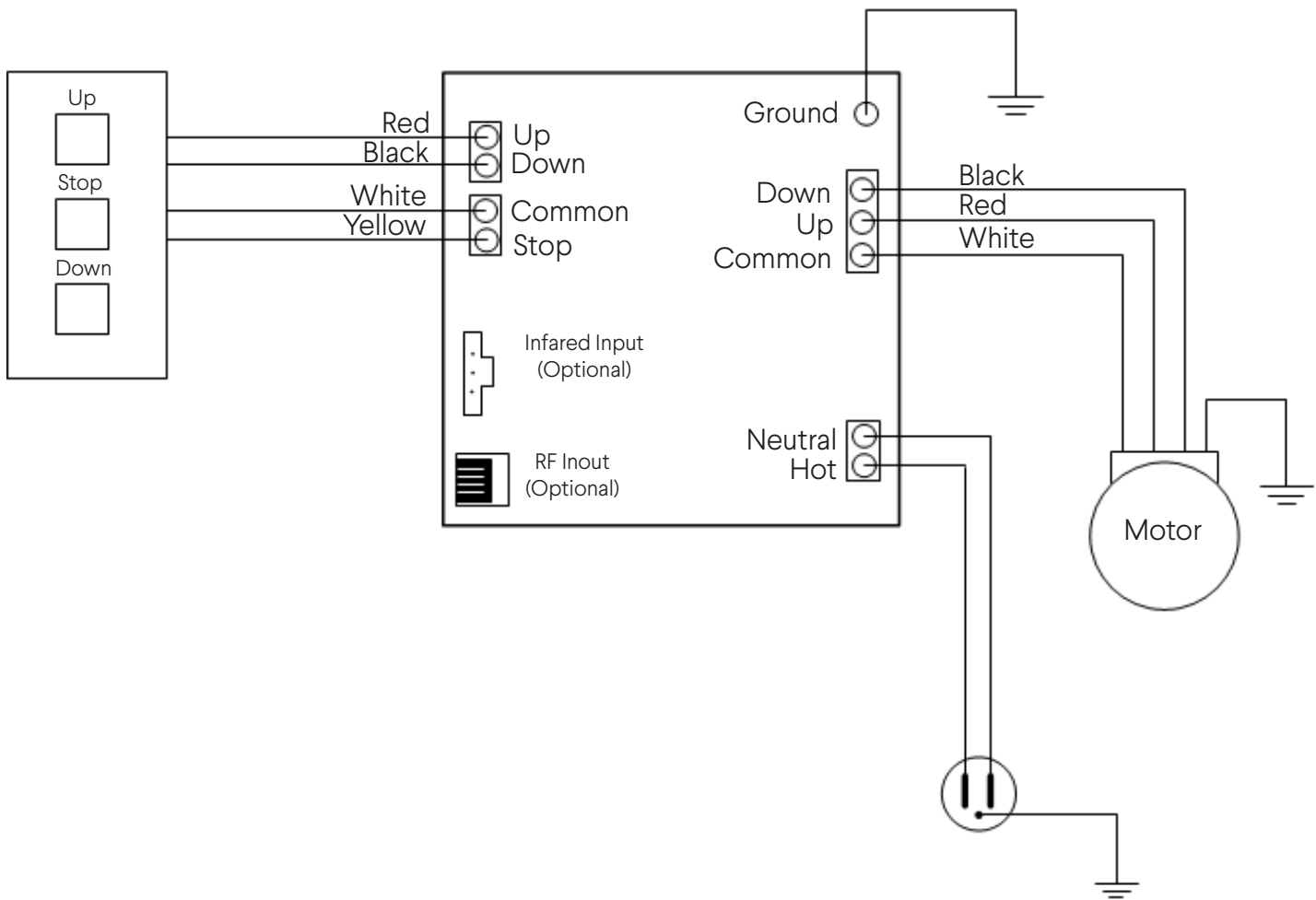
Learned Pronto IR code

0 f 6c 5 60 ad 15 40 56 ac 16 3f 6f fc 42 30 10 0 0 10 11 d 4 0 4 40 40 0 40 4 4 44 f0 6b c5 2f 84 f0 db ca 2b bf 10 c2 37

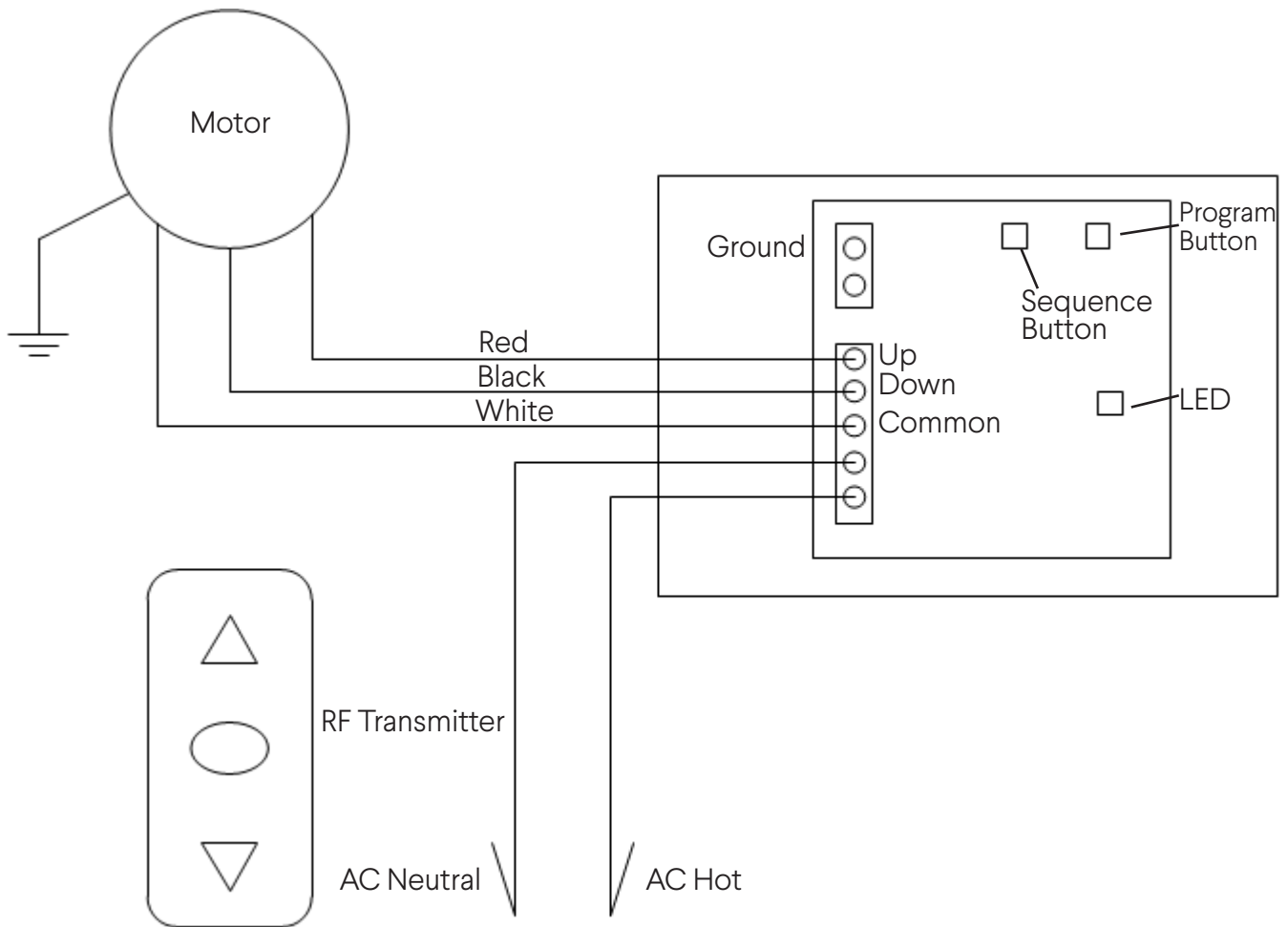
Original HEX code

0 f 6c 3 61 43 15 40 ab 3f 5f bc f2 b 21 10 0 0 10 11 0 1 0 11 0 10 0 10 11 11 7c 3

Code "2A" Channel B DOWN



The Low Voltage Control (with Wall Switch) is a screen control that allows for switching conductors to be run in Class II (small wire, exposed, no conduit) and will interface with most outboard video switching systems.



The Wireless Remote Control (WRC) uses radio frequency (RF) signals to control an external receiver that is connected to the screen's motor leads and plugs directly into a standard AC outlet. It has up, down, and stop functions.



The Reference for Stunning™
www.stewartfilmscreen.com

1161 W. Sepulveda Blvd., Torrance CA 90502 USA | 800.762.4999 | Tel: 310.784.5300 | Fax: 310.326.6870 | Email: request@stewartfilmscreen.com

©2021 Stewart Filmscreen. Specifications are subject to change without notice.